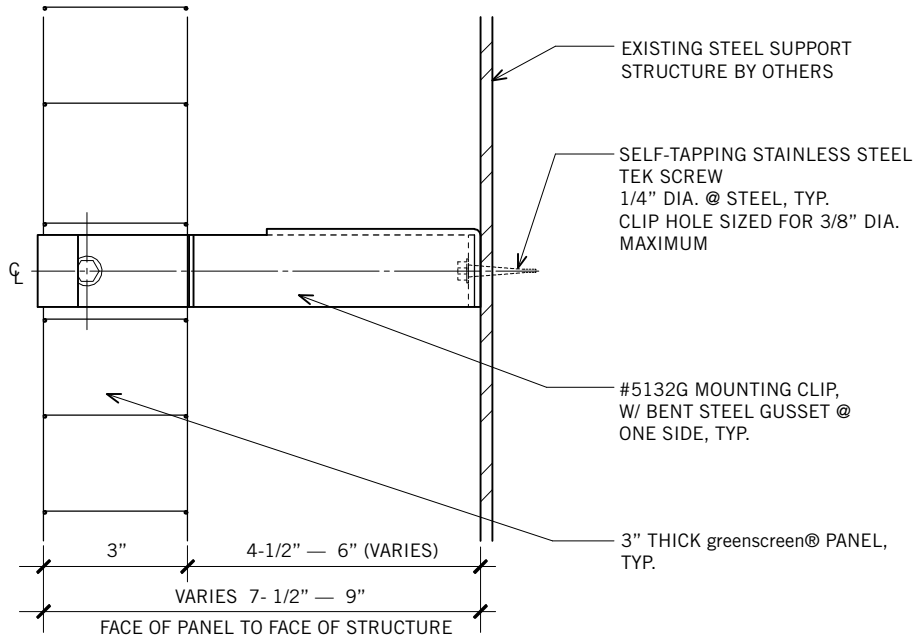
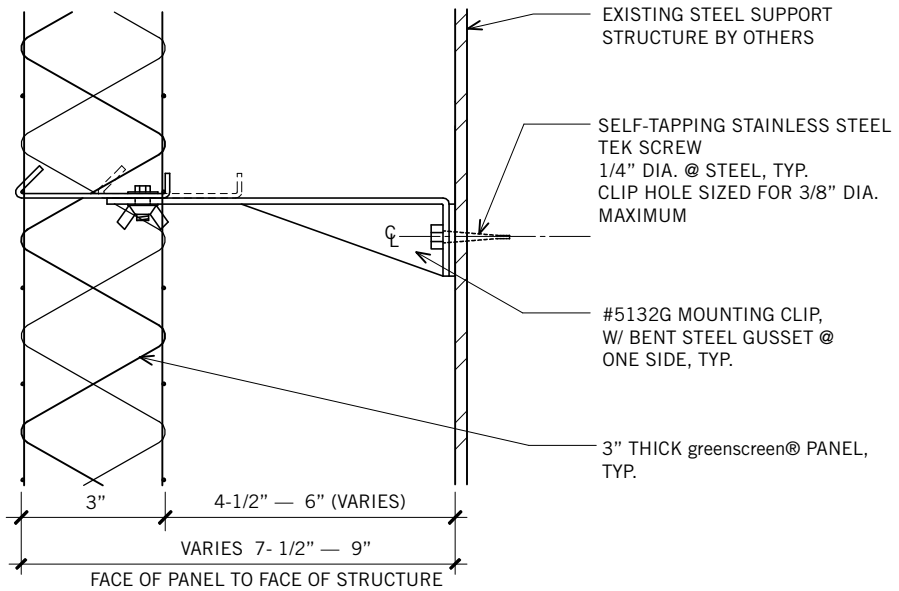


* Used to hold panels off steel support or structure a maximum of 9".

NOTE: Mounting hole in clip is sized for maximum 3/8" diameter fastener, 1/4" diameter fastener is OK.



○ #5132G MOUNTING CLIP - STEEL MOUNTED
PLAN



○ #5132G MOUNTING CLIP - STEEL MOUNTED
SECTION

5132G
Steel Mounted, Plan & Section MOUNTING CLIP

FALL 2015