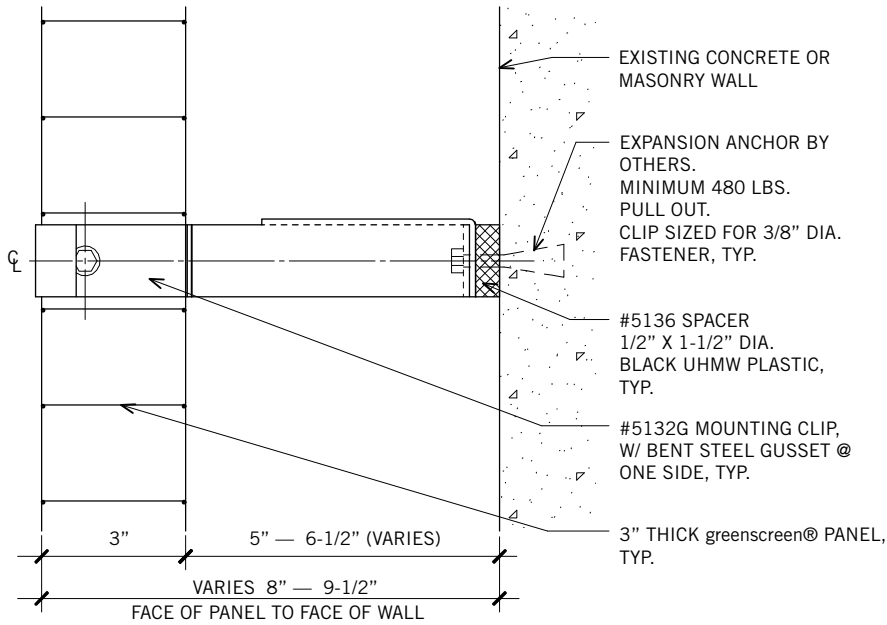


5132G
Wall Mounted, Plan & Section **MOUNTING CLIP**



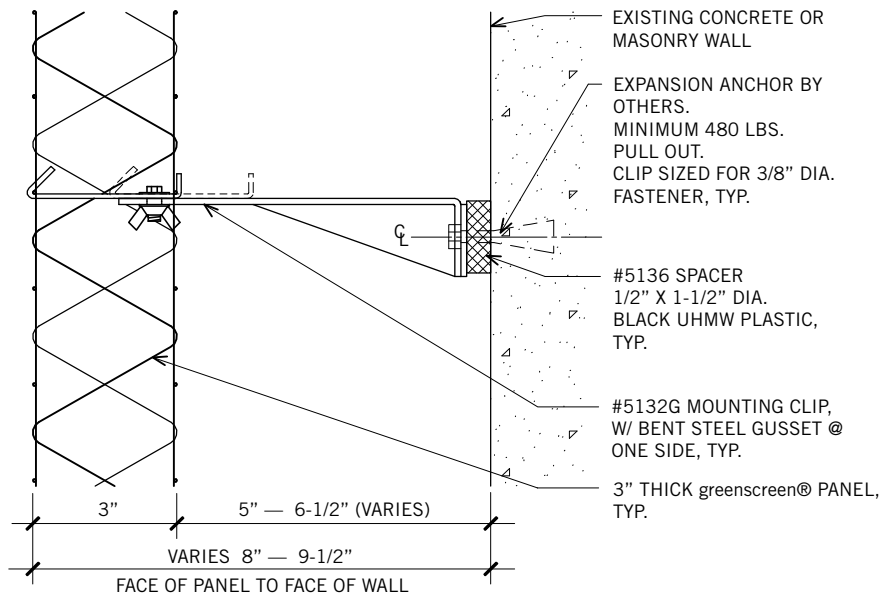
*Fasteners and expansion anchors by others.

○ #5132G MOUNTING CLIP - WALL MOUNTED
PLAN

*Used to hold panels off face of wall or structure a maximum of 9-1/2".

*At stucco and plaster locations clips should be mounted into solid blocking, sheathing or wall studs.

NOTE: Mounting hole in clip is sized for maximum 3/8" diameter fastener.



○ #5132G MOUNTING CLIP - WALL MOUNTED
SECTION

FALL 2015