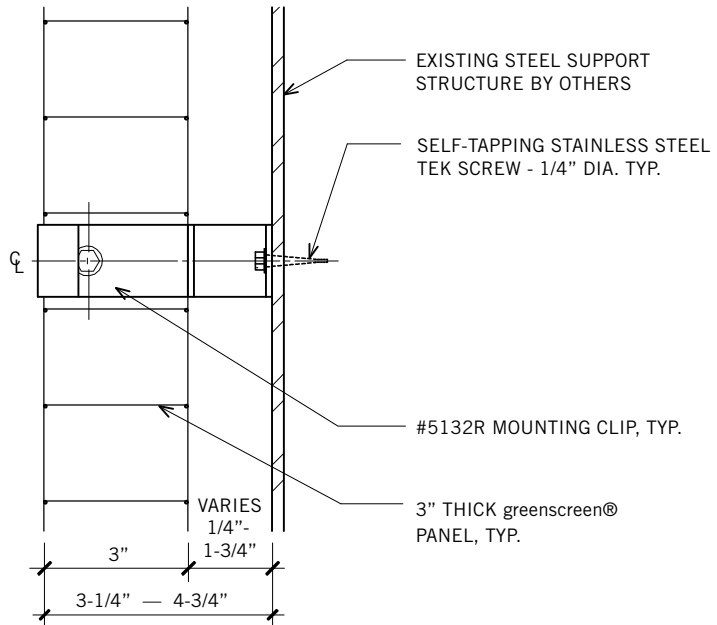
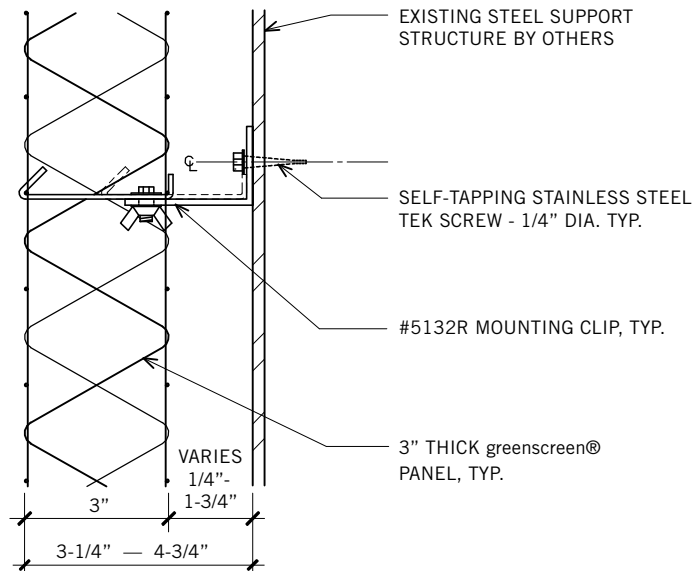


*Used for surface mounting panels to steel support structures.

NOTE: Mounting hole in clip is sized for maximum 3/8" diameter fastener, 1/4" diameter fastener is OK.



○ #5132R MOUNTING CLIP - STEEL MOUNTED
PLAN



○ #5132R MOUNTING CLIP - STEEL MOUNTED
SECTION