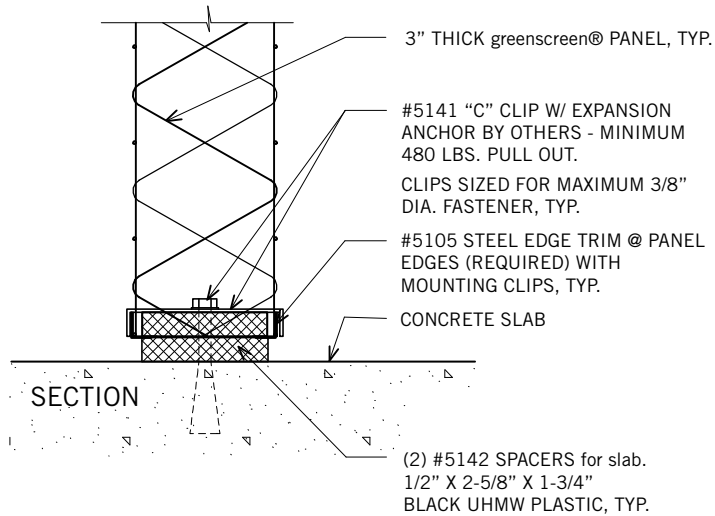


**#5141 "C" CLIP - POST MOUNTED**



**#5141 "C" CLIP - SLAB MOUNTED**

- #5105 STEEL EDGE TRIM REQUIRED @ VERTICAL PANEL EDGES, TYP.
- #5142 SPACER. 1/2" X 2-5/8" X 1-3/4" BLACK UHMW PLASTIC, TYP.
- STAINLESS STEEL TEK SCREW OR THRU-BOLT. CLIPS SIZED FOR MAXIMUM 3/8" DIA. FASTENER, TYP. - 1/4" DIA. OK.
- ADDITIONAL PANEL WHERE OCCURS
- 3" STEEL POST, OR LARGER
- #5141 "C" CLIP W/ STAINLESS STEEL TEK SCREW OR THRU BOLT
- #5139 POST CAP
- (2) #5136.25 SPACERS - 1/4" THICK X 1 - 1/2" DIAMETER BLACK UHMW PLASTIC, TYP.
- STAINLESS STEEL TEK SCREW OR THRU-BOLT. CLIPS SIZED FOR MAXIMUM 3/8" DIA. FASTENER, TYP. - 1/4" DIA. OK.
- #5142 SPACER. 1/2" X 2-5/8" X 1-3/4" BLACK UHMW PLASTIC, TYP.
- #5105 STEEL EDGE TRIM REQUIRED @ VERTICAL PANEL EDGES, TYP.
- 3" SQUARE STEEL POST, OR LARGER

\* Can be used with any size post.

\* Requires #5105 edge trim @ panel edges with clips.

NOTE: Mounting hole in clip is sized for maximum 3/8" dia. fastener - 1/4" dia. OK, with washer.