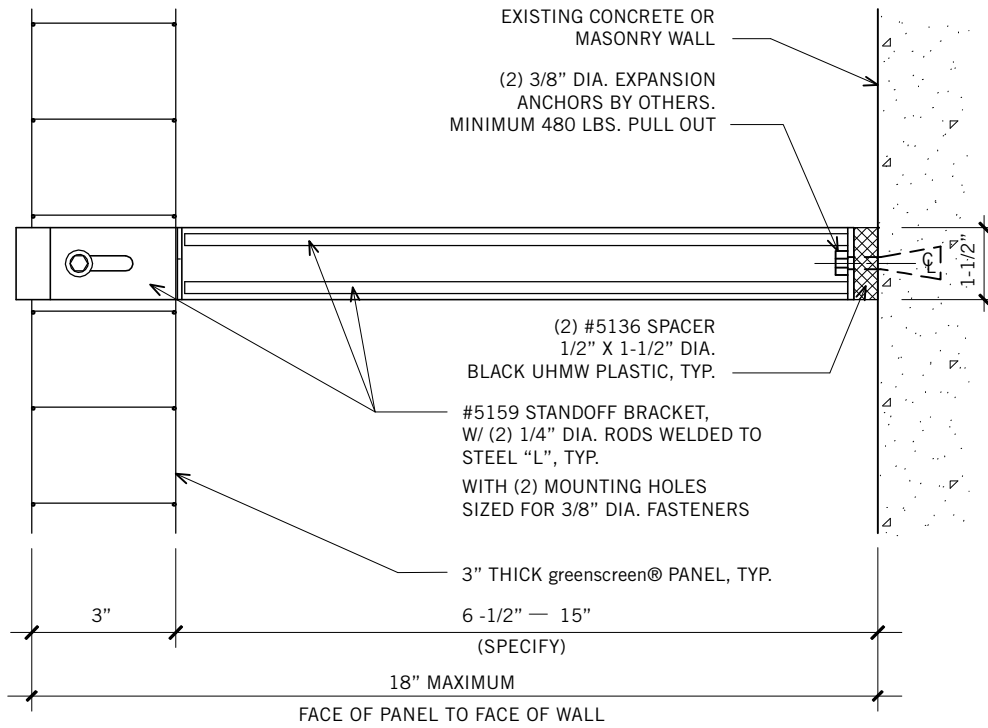
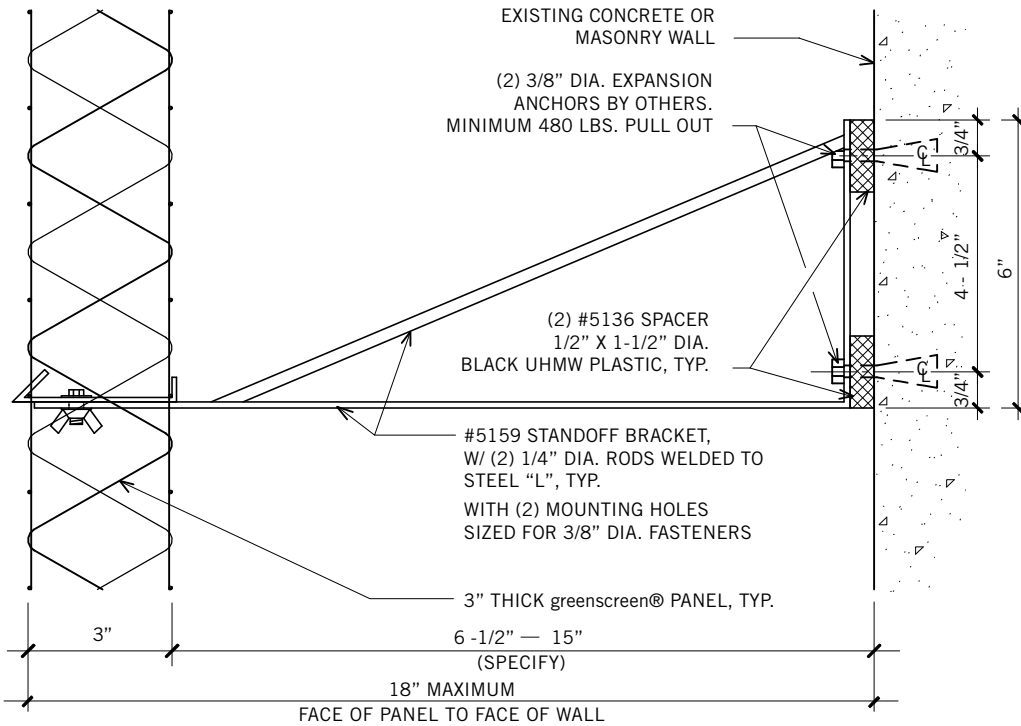


5159
Standoff Bracket, Wall Mounted, Plan & Section **MOUNTING CLIP**

*Used to hold panels off face of wall or structure a maximum of 18"
NOTE: Mounting hole in clip is sized for maximum 3/8" diameter fastener.



○ #5159 STANDOFF BRACKET - WALL MOUNTED
PLAN



○ #5159 STANDOFF BRACKET - WALL MOUNTED
SECTION

FALL 2015