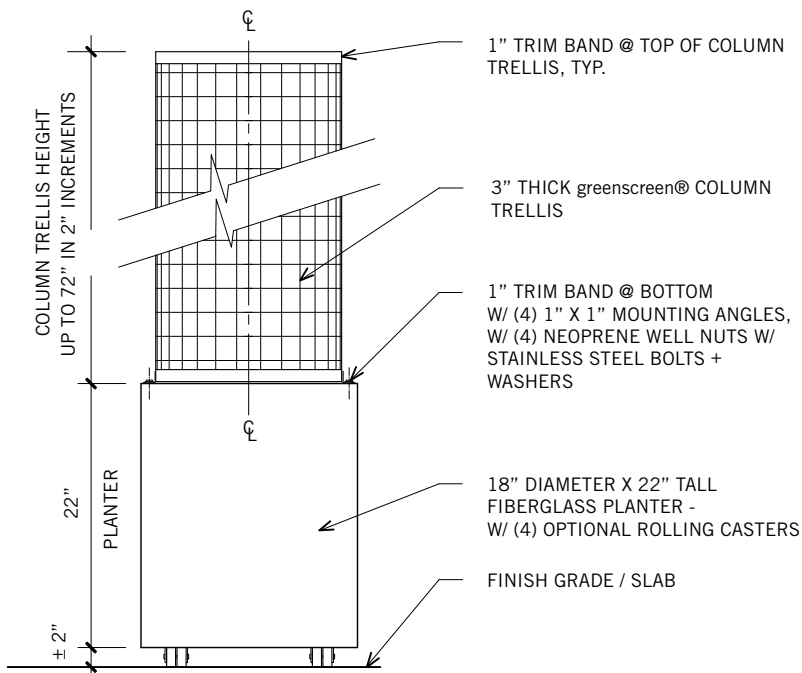
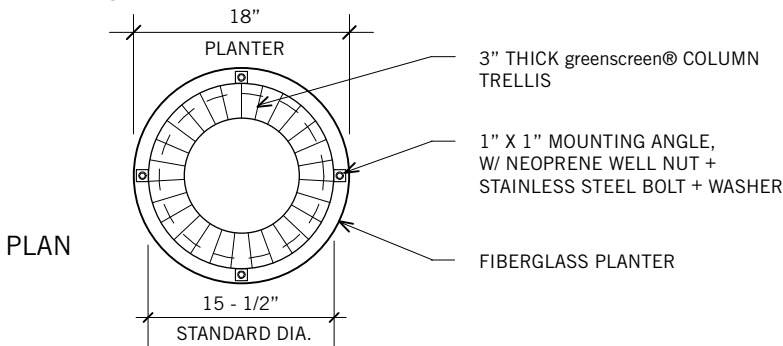


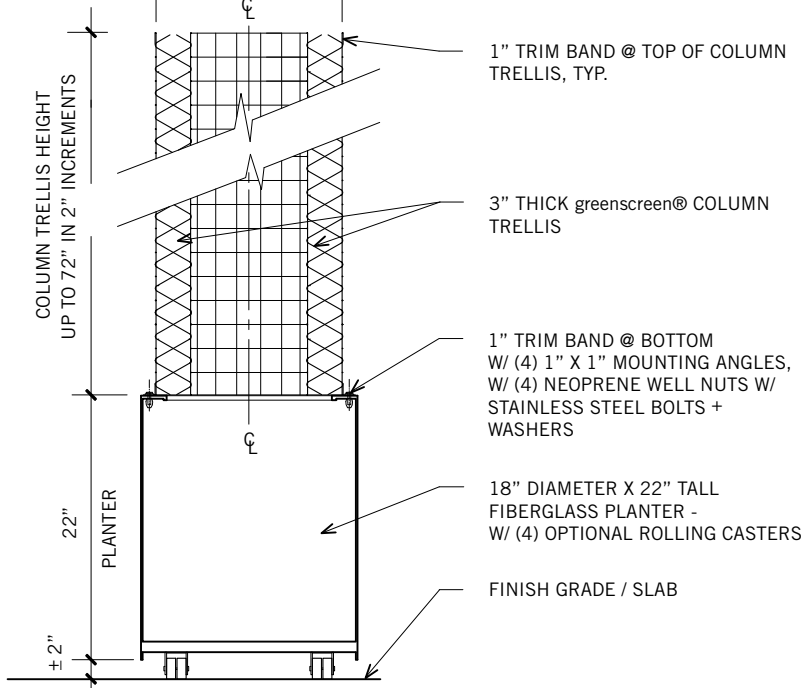
Planter mounted COLUMN TRELLIS



ELEVATION



PLAN



SECTION

1" TRIM BAND @ TOP OF COLUMN TRELLIS, TYP.

3" THICK greenscreen® COLUMN TRELLIS

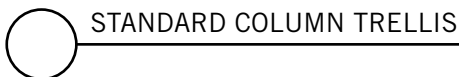
1" TRIM BAND @ BOTTOM W/ (4) 1" X 1" MOUNTING ANGLES, W/ (4) NEOPRENE WELL NUTS W/ STAINLESS STEEL BOLTS + WASHERS

18" DIAMETER X 22" TALL FIBERGLASS PLANTER - W/ (4) OPTIONAL ROLLING CASTERS

FINISH GRADE / SLAB

* Requires no center structural support

NOTE:
Soil volume = 2.4 cu.ft.
Planter, screen, hardware without soil = 40 lbs.
Total approximate weight w/ soil + plants = 110 lbs.



STANDARD COLUMN TRELLIS

FALL 2015