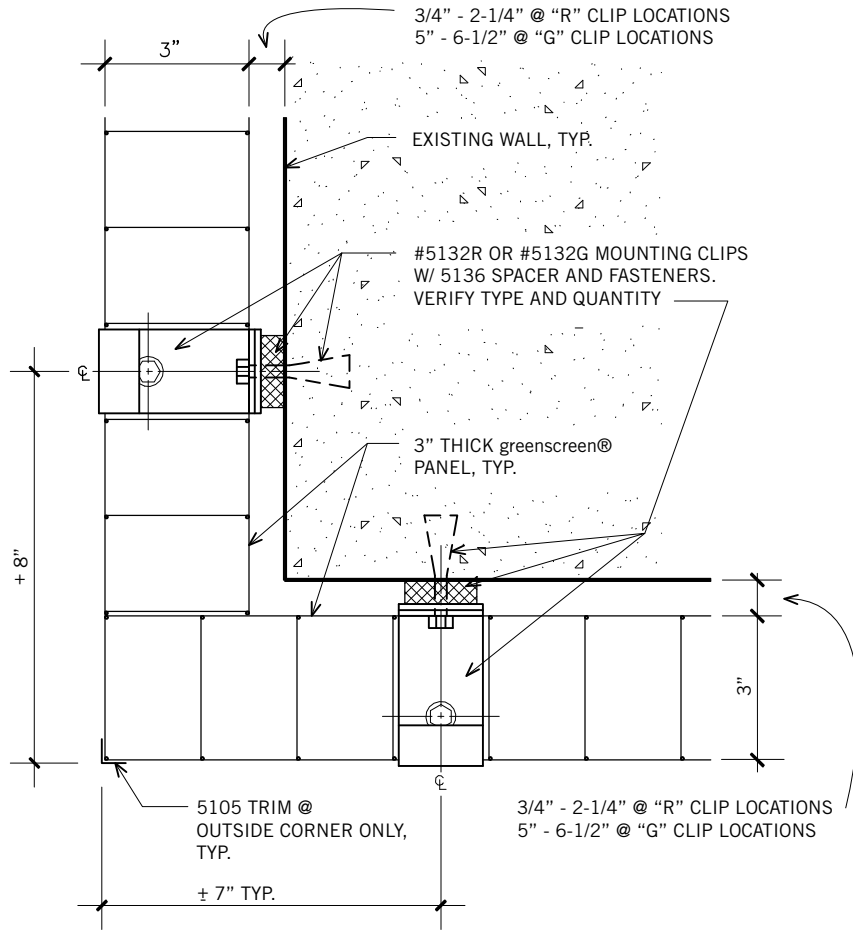


* Most common panel to corner configuration



CORNER DETAIL - WALL MOUNTED
PLAN