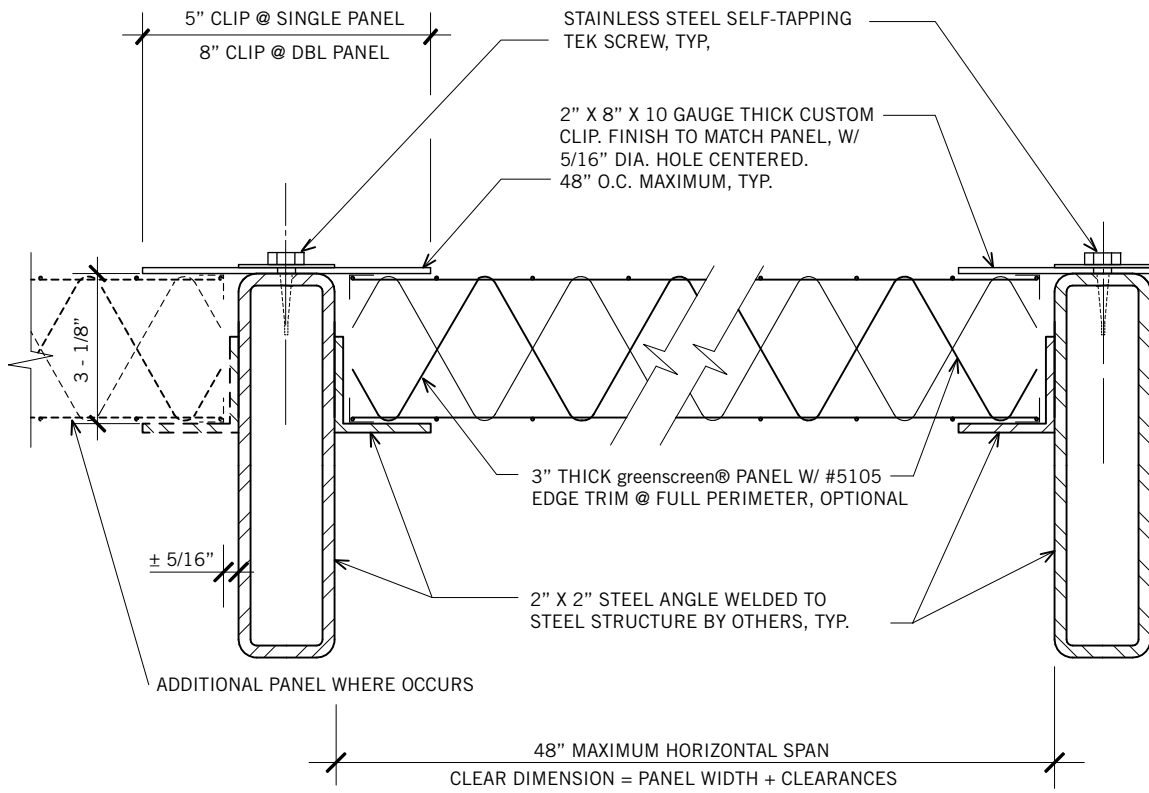


Inset OVERHEAD PANEL



○ OVERHEAD PANEL - INSET

*Allows horizontal overhead panels to be mounted between structural members.