

details

Details

Individual drawings are available for download and insertion into working drawings from our website, and from www.caddetails.com (search: greenscreen).

3-D BIM and SketchUp files are also available.

5132R WALL MOUNTED – PLAN & SECTION VIEW
5132R STEEL MOUNTED – PLAN & SECTION VIEW
5132G WALL MOUNTED – PLAN & SECTION VIEW
5132G STEEL MOUNTED – PLAN & SECTION VIEW
5159 STANDOFF BRACKET - PLAN & SECTION VIEW

CORNER DETAIL - WALL MOUNTED
5133X POST MOUNTED
5141 C-CLIP TO POST OR SLAB

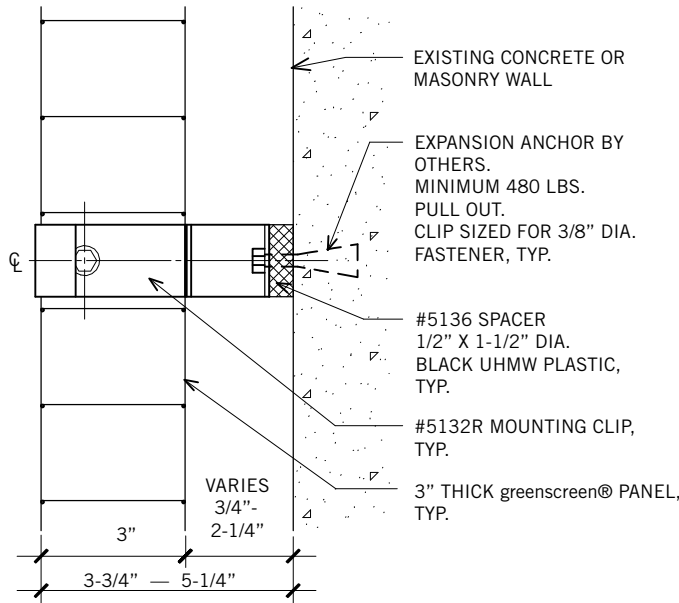
FREESTANDING HORIZONTAL
FREESTANDING VERTICAL
FREESTANDING CURVED

OVERHEAD PANEL - SURFACE MOUNT
OVERHEAD PANEL - INSET
COLUMN TRELLIS - STANDARD
COLUMN TRELLIS - WITH PLANTER

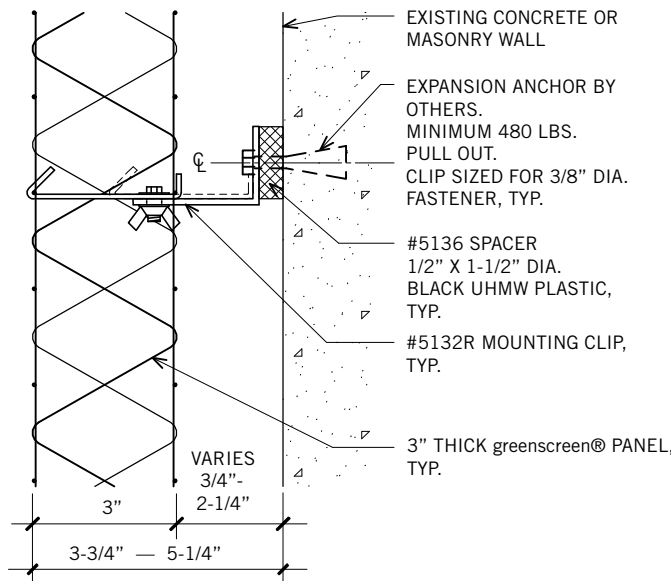
HEDGE-A-MATIC CURVED RECTANGULAR PLANTER
HEDGE-A-MATIC RECTANGULAR PLANTER
HEDGE-A-MATIC SQUARE PLANTER

FIBERGLASS PLANTER
5135R PLANTER STRAPS

5132R
Wall Mounted, Plan & Section **MOUNTING CLIP**



○ #5132R MOUNTING CLIP - WALL MOUNTED
PLAN



○ #5132R MOUNTING CLIP - WALL MOUNTED
SECTION

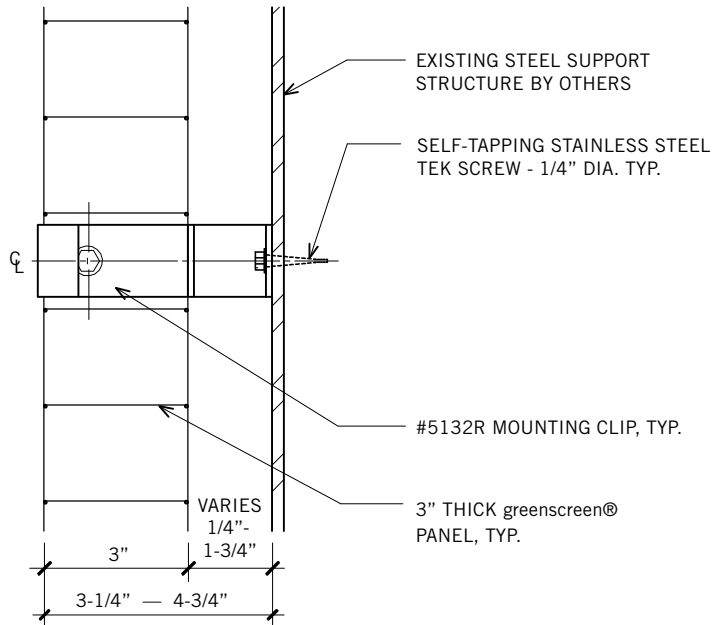
*Fasteners and expansion anchors by others.

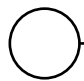
At stucco and plaster locations clips should be mounted into solid blocking, sheathing or wall studs.

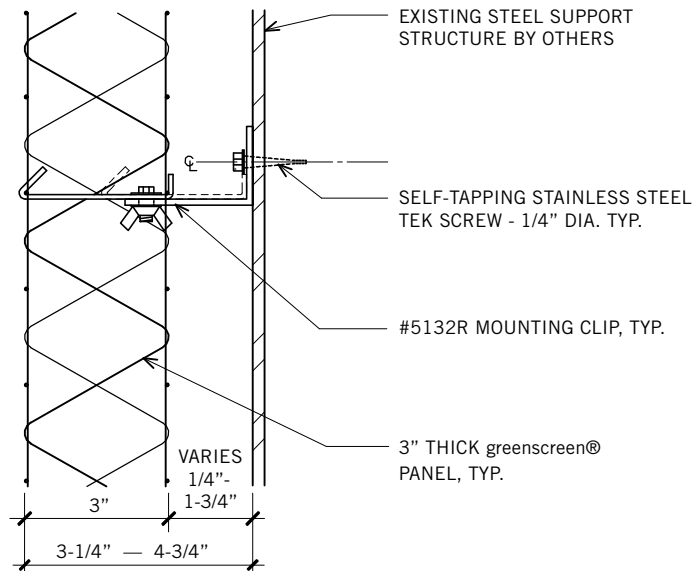
NOTE: Mounting hole in clip is sized for maximum 3/8" diameter fastener.

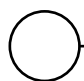
*Used for surface mounting panels to steel support structures.

NOTE: Mounting hole in clip is sized for maximum 3/8" diameter fastener, 1/4" diameter fastener is OK.

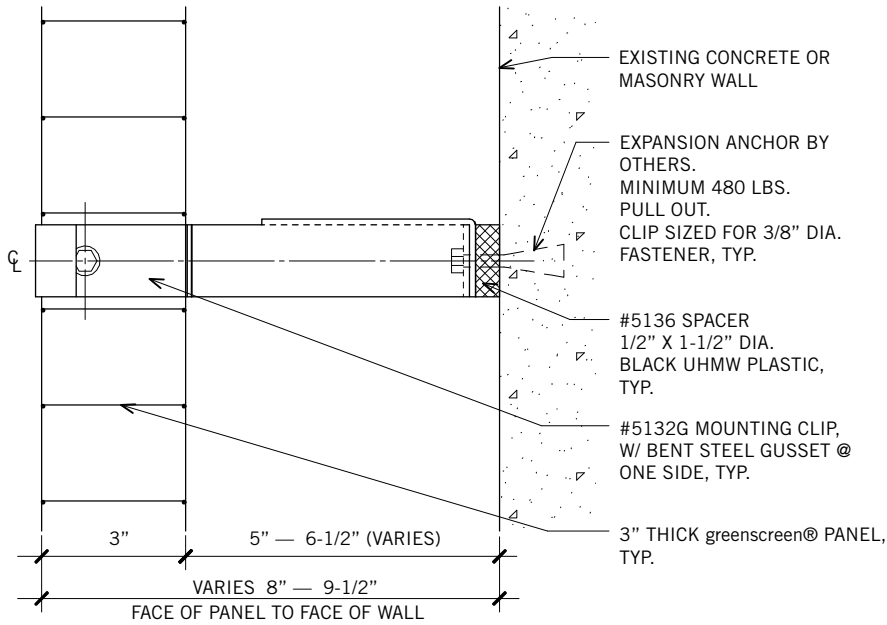


 #5132R MOUNTING CLIP - STEEL MOUNTED
PLAN

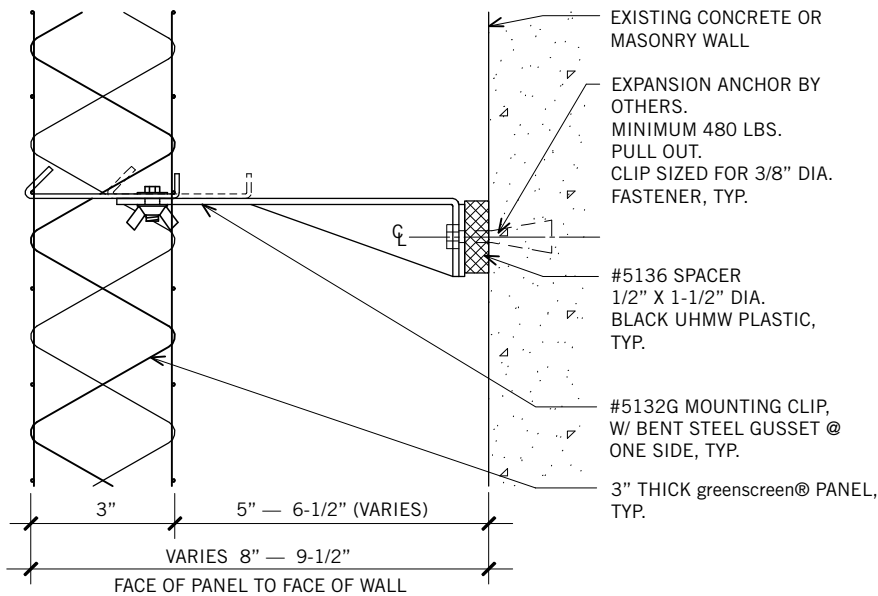


 #5132R MOUNTING CLIP - STEEL MOUNTED
SECTION

5132G
Wall Mounted, Plan & Section **MOUNTING CLIP**



○ #5132G MOUNTING CLIP - WALL MOUNTED
PLAN



○ #5132G MOUNTING CLIP - WALL MOUNTED
SECTION

*Fasteners and expansion anchors by others.

*Used to hold panels off face of wall or structure a maximum of 9-1/2".

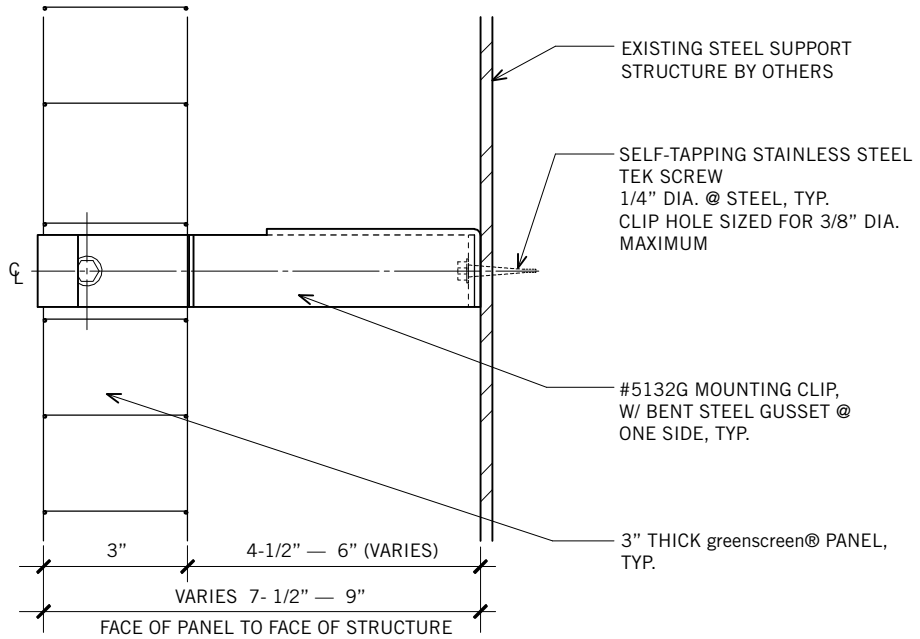
*At stucco and plaster locations clips should be mounted into solid blocking, sheathing or wall studs.

NOTE: Mounting hole in clip is sized for maximum 3/8" diameter fastener.

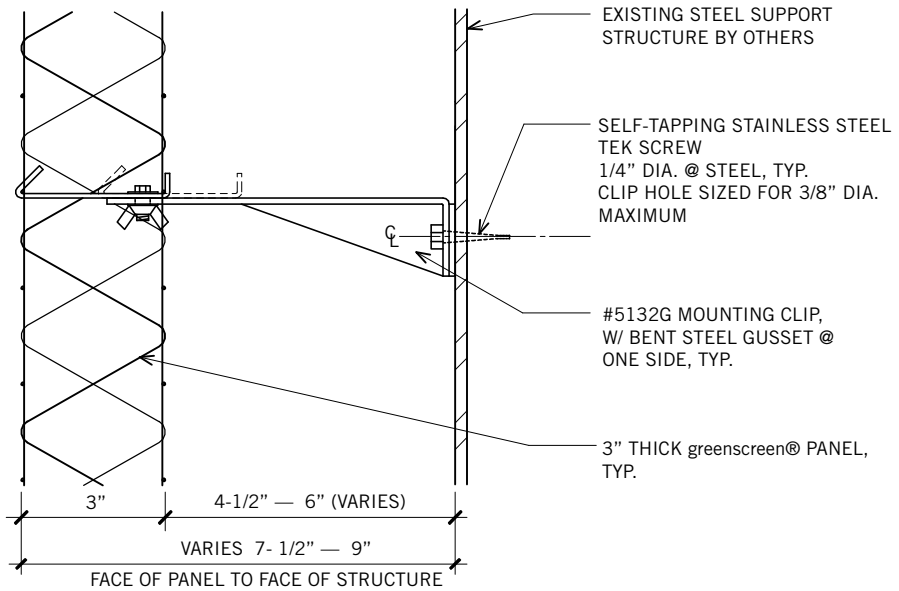
FALL 2015

* Used to hold panels off steel support or structure a maximum of 9".

NOTE: Mounting hole in clip is sized for maximum 3/8" diameter fastener, 1/4" diameter fastener is OK.



#5132G MOUNTING CLIP - STEEL MOUNTED
PLAN



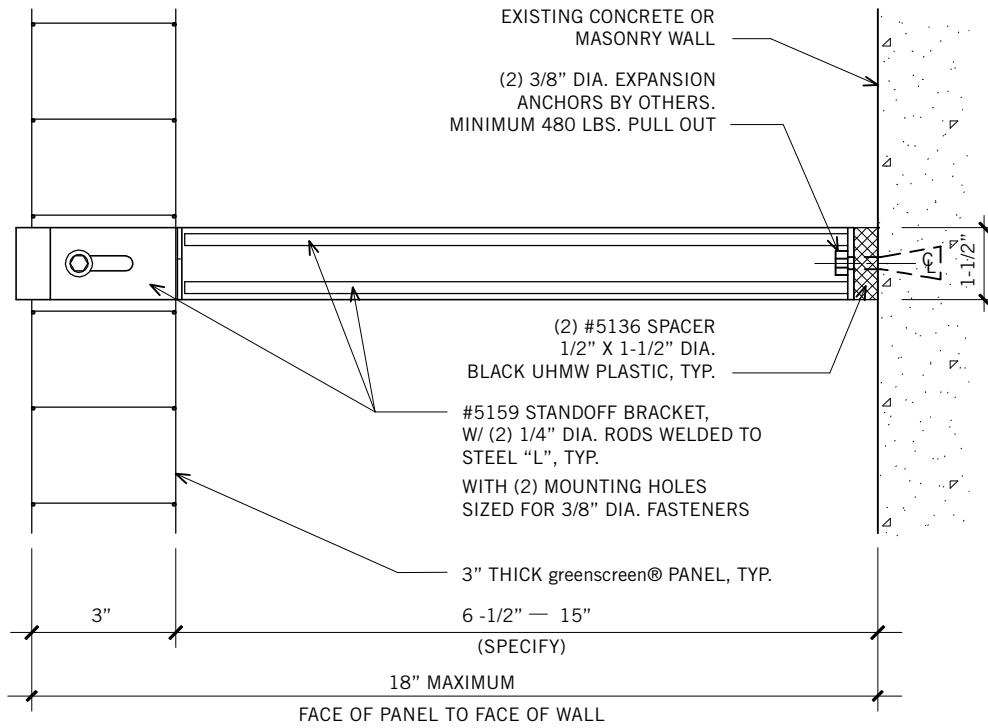
#5132G MOUNTING CLIP - STEEL MOUNTED
SECTION

5132G
Steel Mounted, Plan & Section MOUNTING CLIP

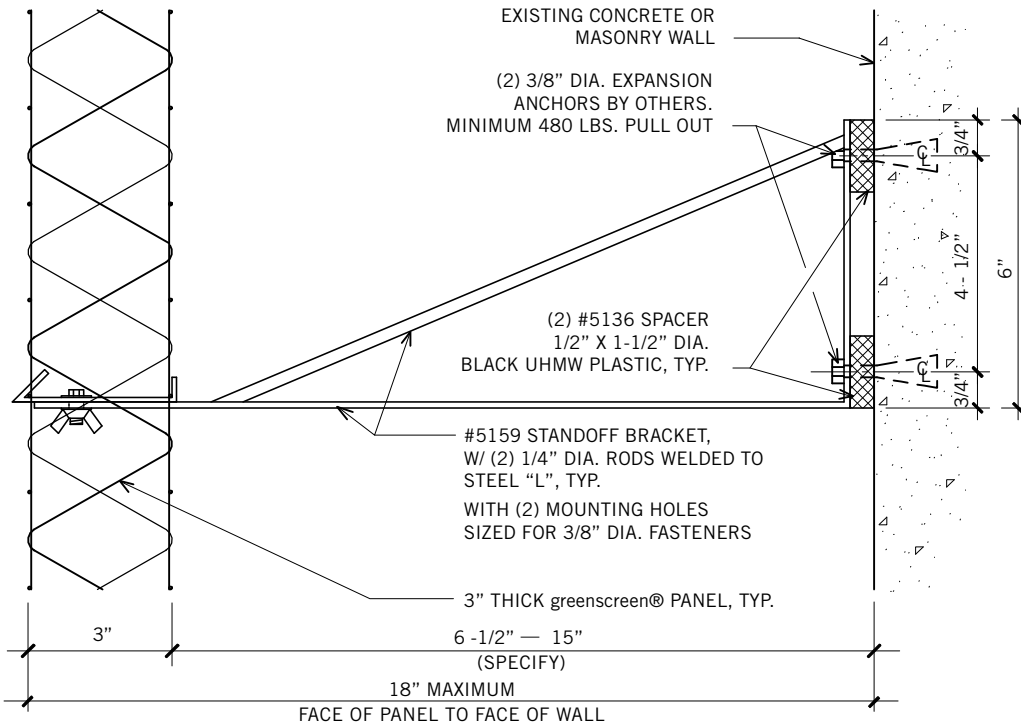
FALL 2015

5159
Standoff Bracket, Wall Mounted, Plan & Section **MOUNTING CLIP**

*Used to hold panels off face of wall or structure a maximum of 18"
NOTE: Mounting hole in clip is sized for maximum 3/8" diameter fastener.



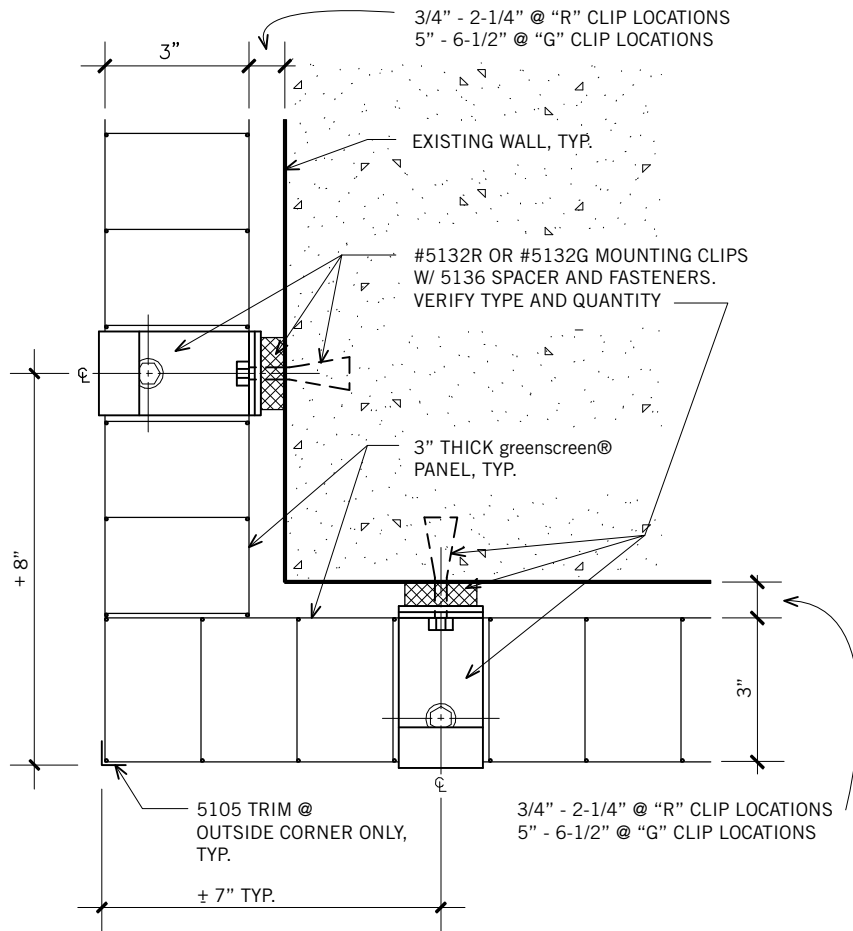
○ #5159 STANDOFF BRACKET - WALL MOUNTED
PLAN



○ #5159 STANDOFF BRACKET - WALL MOUNTED
SECTION

FALL 2015

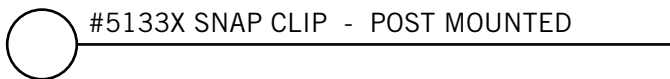
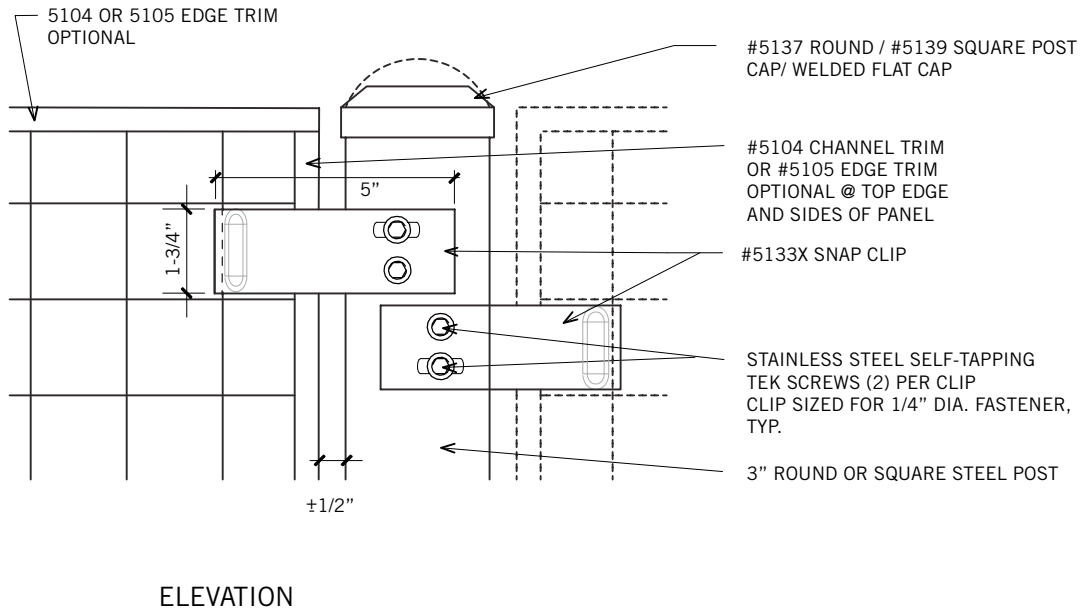
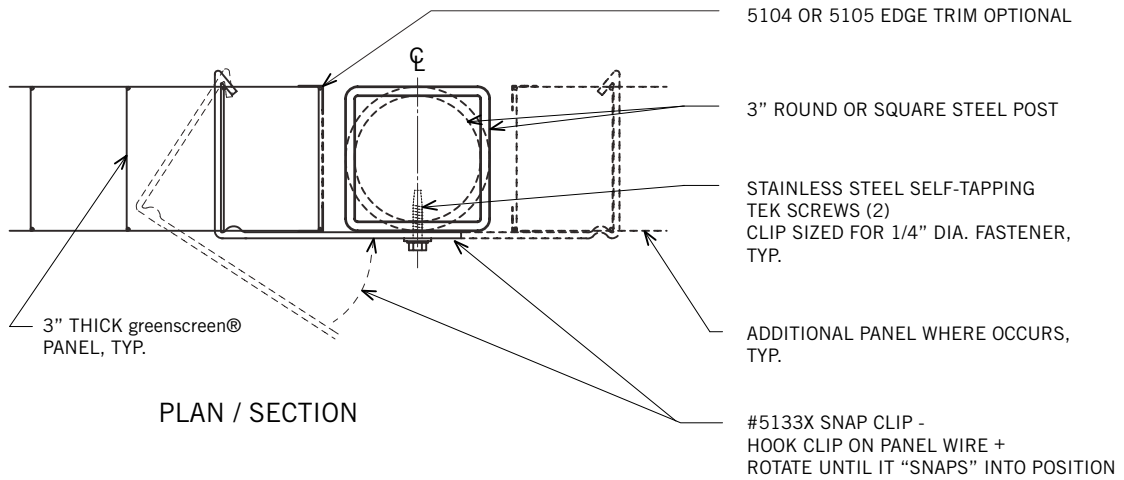
* Most common panel to corner configuration



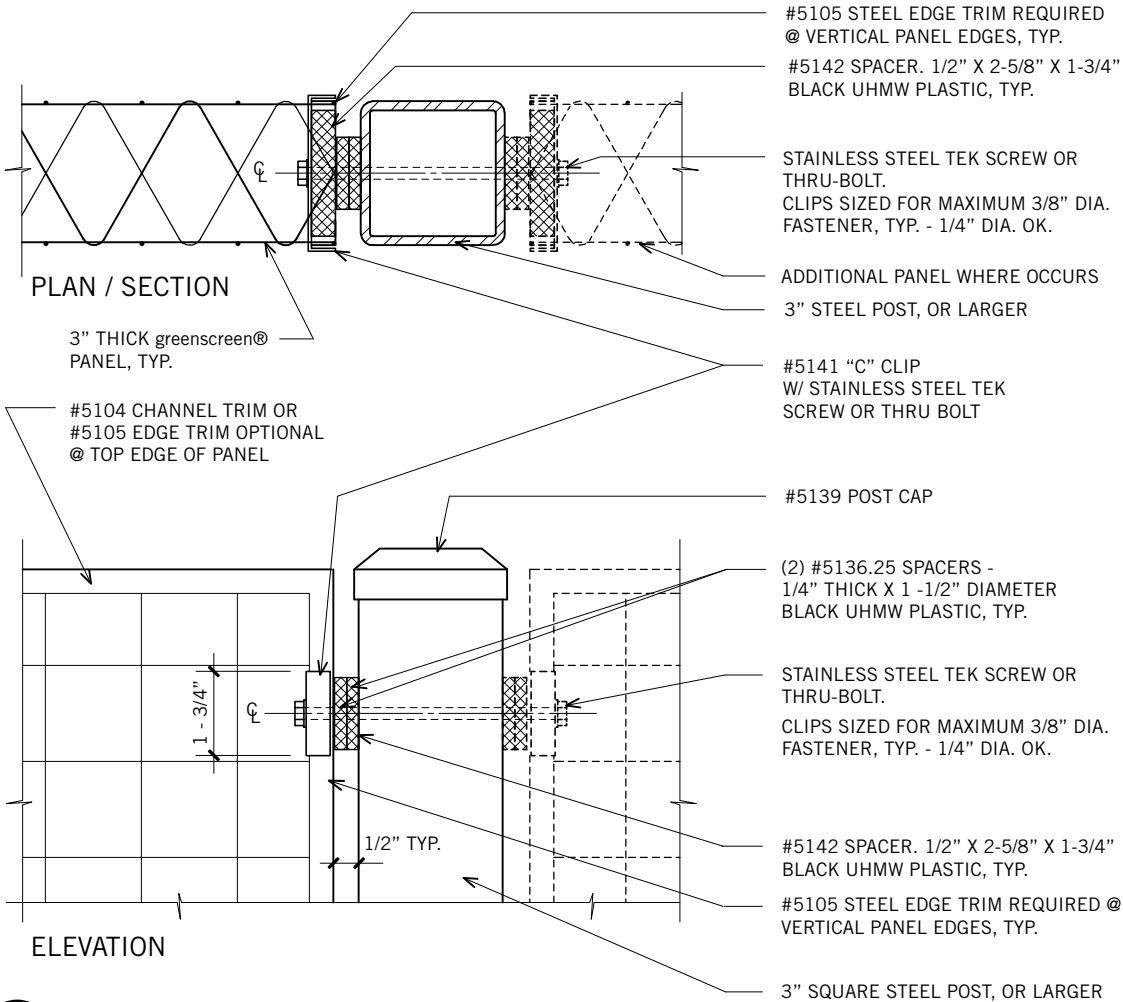
CORNER DETAIL - WALL MOUNTED
PLAN

5133X
Snap Clip, Post Mounted MOUNTING CLIP

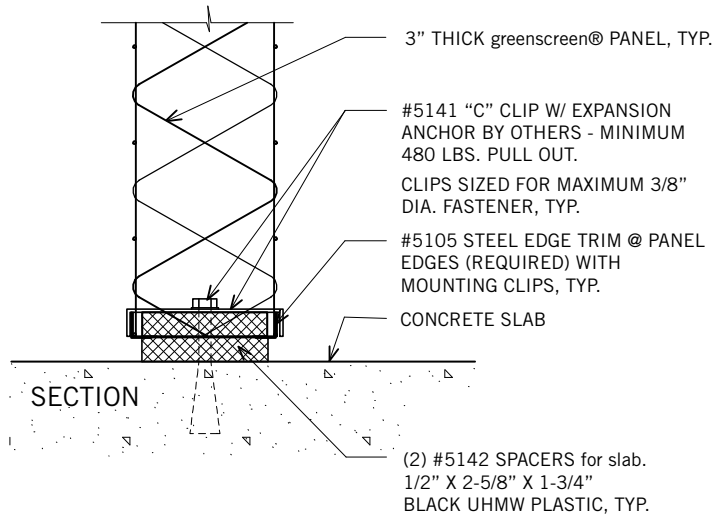
*Only requires access to one face of panel
 *Consult Mounting Options/ Freestanding Horizontal for maximum spans.
 NOTE: Mounting hole in clip is sized for 1/4" diameter fastener.



FALL 2015



#5141 "C" CLIP - POST MOUNTED



#5141 "C" CLIP - SLAB MOUNTED

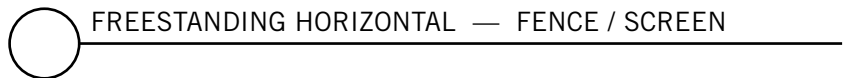
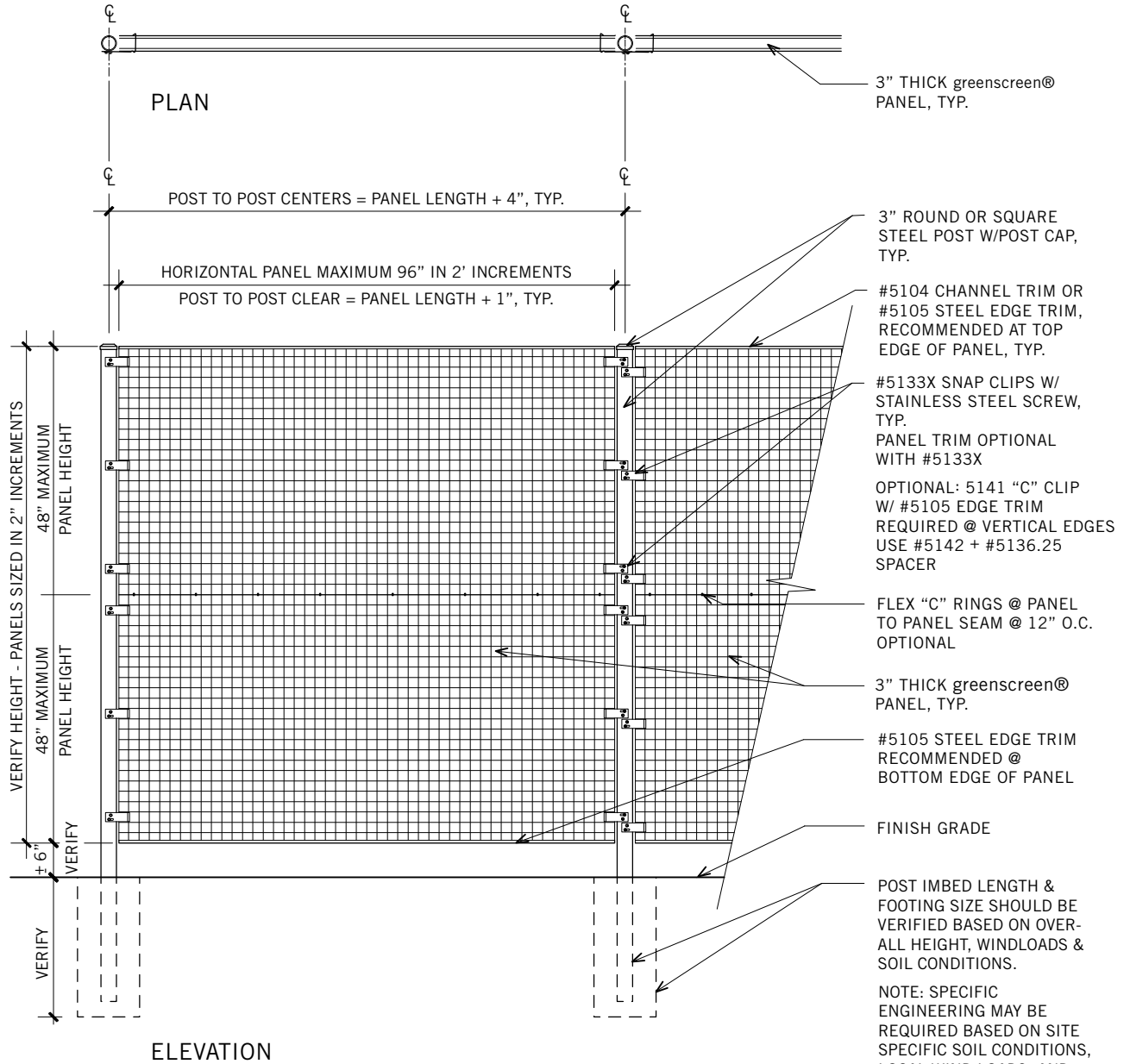
- #5105 STEEL EDGE TRIM REQUIRED @ VERTICAL PANEL EDGES, TYP.
- #5142 SPACER. 1/2" X 2-5/8" X 1-3/4" BLACK UHMW PLASTIC, TYP.
- STAINLESS STEEL TEK SCREW OR THRU-BOLT. CLIPS SIZED FOR MAXIMUM 3/8" DIA. FASTENER, TYP. - 1/4" DIA. OK.
- ADDITIONAL PANEL WHERE OCCURS
- 3" STEEL POST, OR LARGER
- #5141 "C" CLIP W/ STAINLESS STEEL TEK SCREW OR THRU BOLT
- #5139 POST CAP
- (2) #5136.25 SPACERS - 1/4" THICK X 1 - 1/2" DIAMETER BLACK UHMW PLASTIC, TYP.
- STAINLESS STEEL TEK SCREW OR THRU-BOLT. CLIPS SIZED FOR MAXIMUM 3/8" DIA. FASTENER, TYP. - 1/4" DIA. OK.
- #5142 SPACER. 1/2" X 2-5/8" X 1-3/4" BLACK UHMW PLASTIC, TYP.
- #5105 STEEL EDGE TRIM REQUIRED @ VERTICAL PANEL EDGES, TYP.
- 3" SQUARE STEEL POST, OR LARGER

* Can be used with any size post.

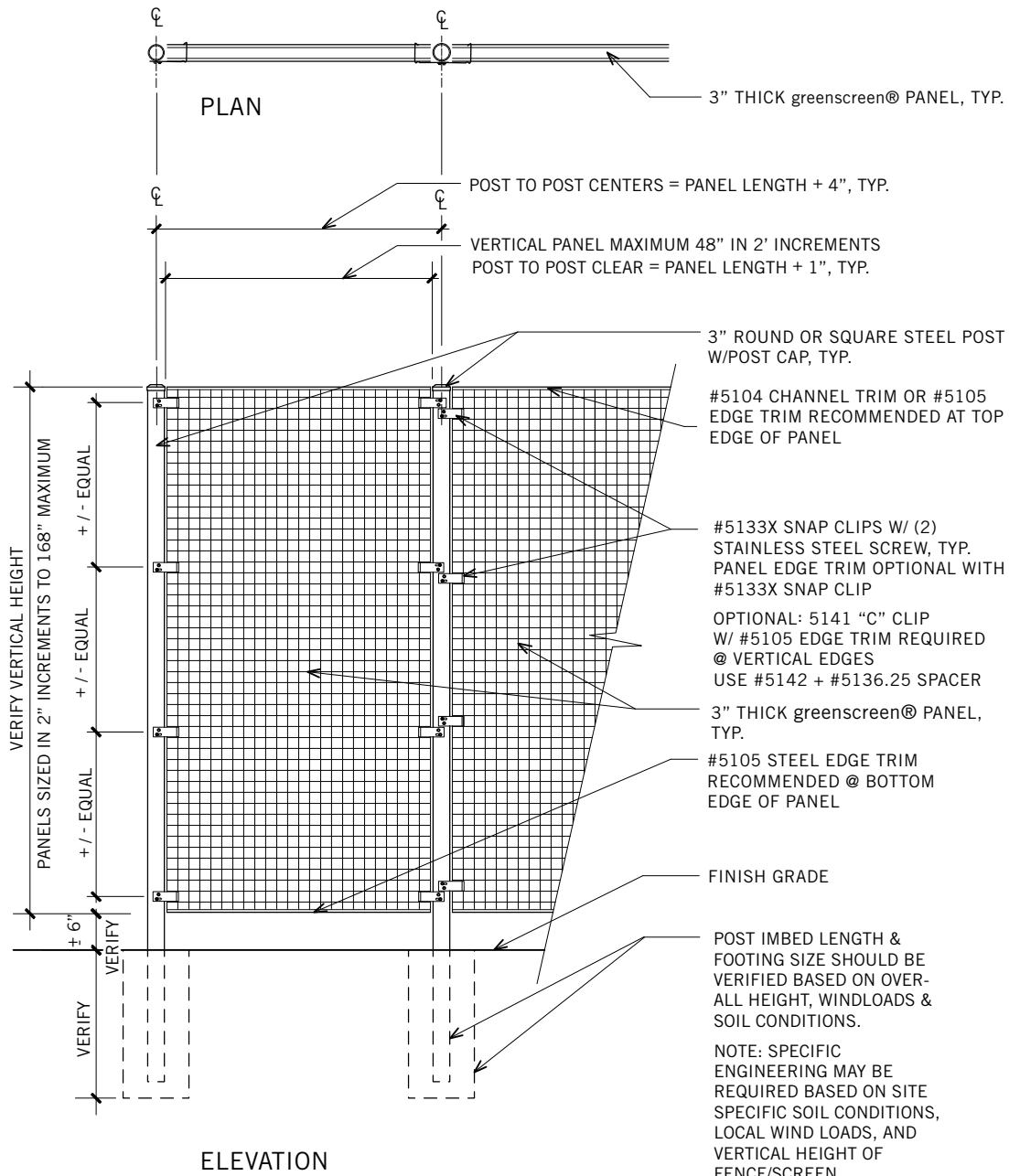
* Requires #5105 edge trim @ panel edges with clips.

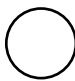
NOTE: Mounting hole in clip is sized for maximum 3/8" dia. fastener - 1/4" dia. OK, with washer.

Freestanding, Horizontal FENCE / SCREEN

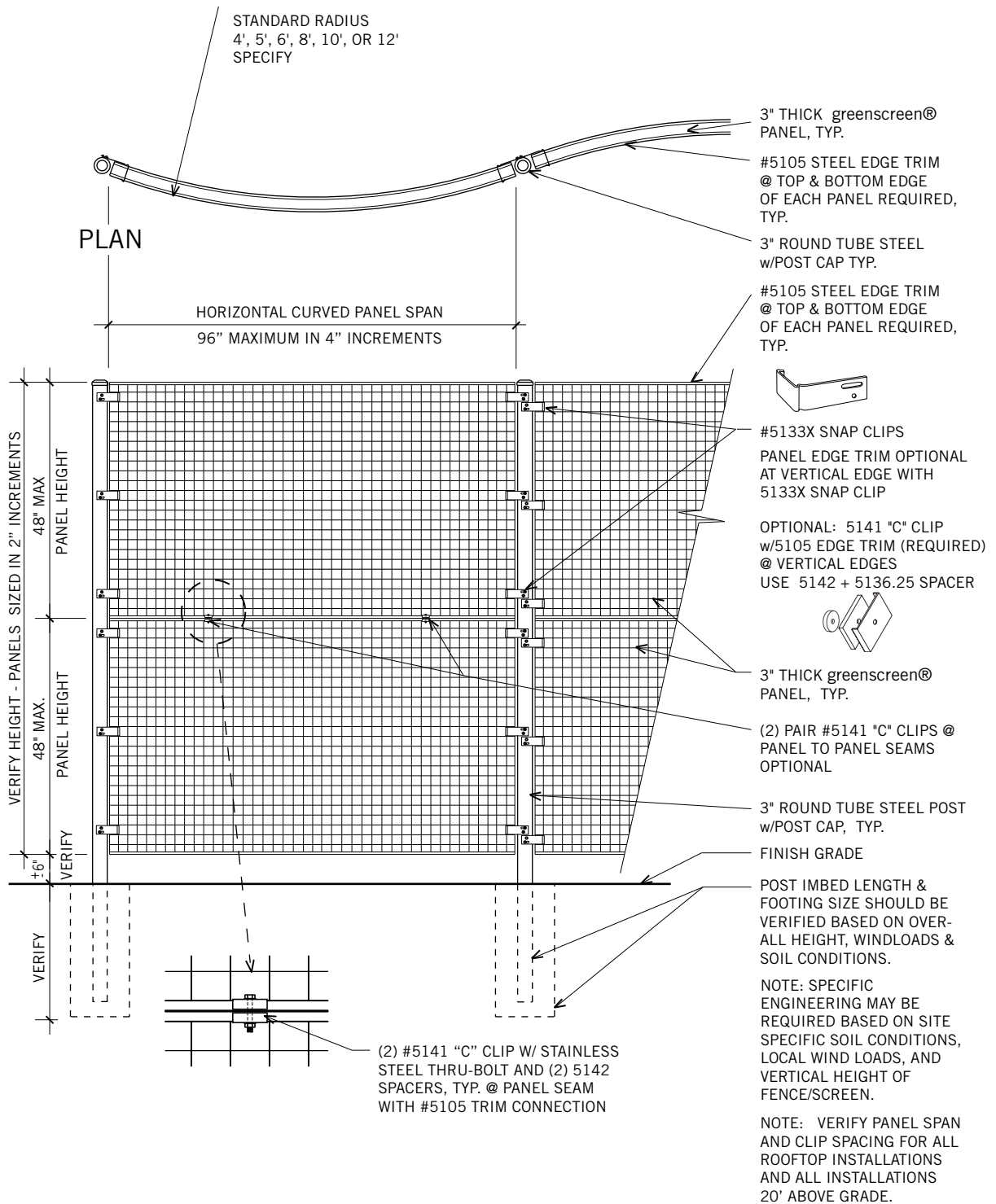


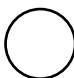
FALL 2015



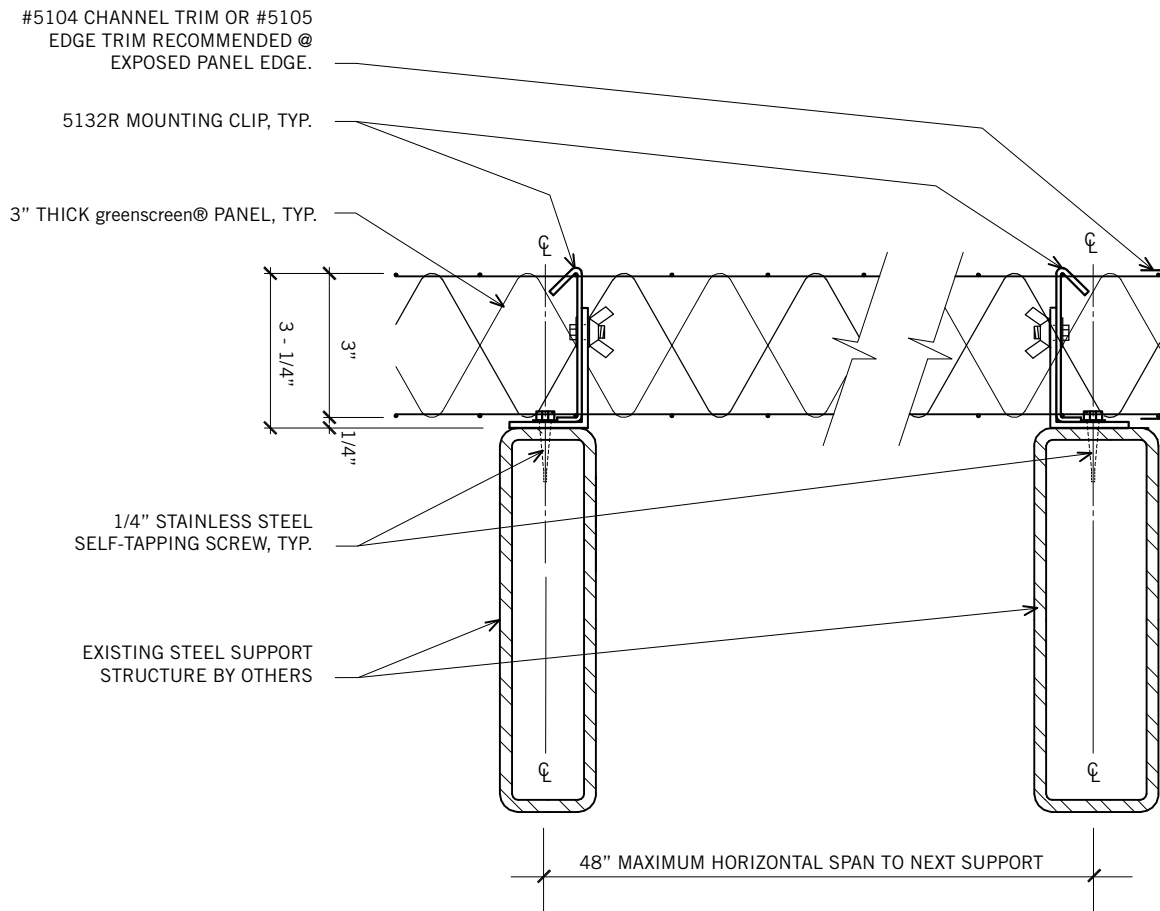
 FREESTANDING VERTICAL — FENCE / SCREEN

Freestanding, Curved **FENCE / SCREEN**



 FREESTANDING CURVED — FENCE / SCREEN

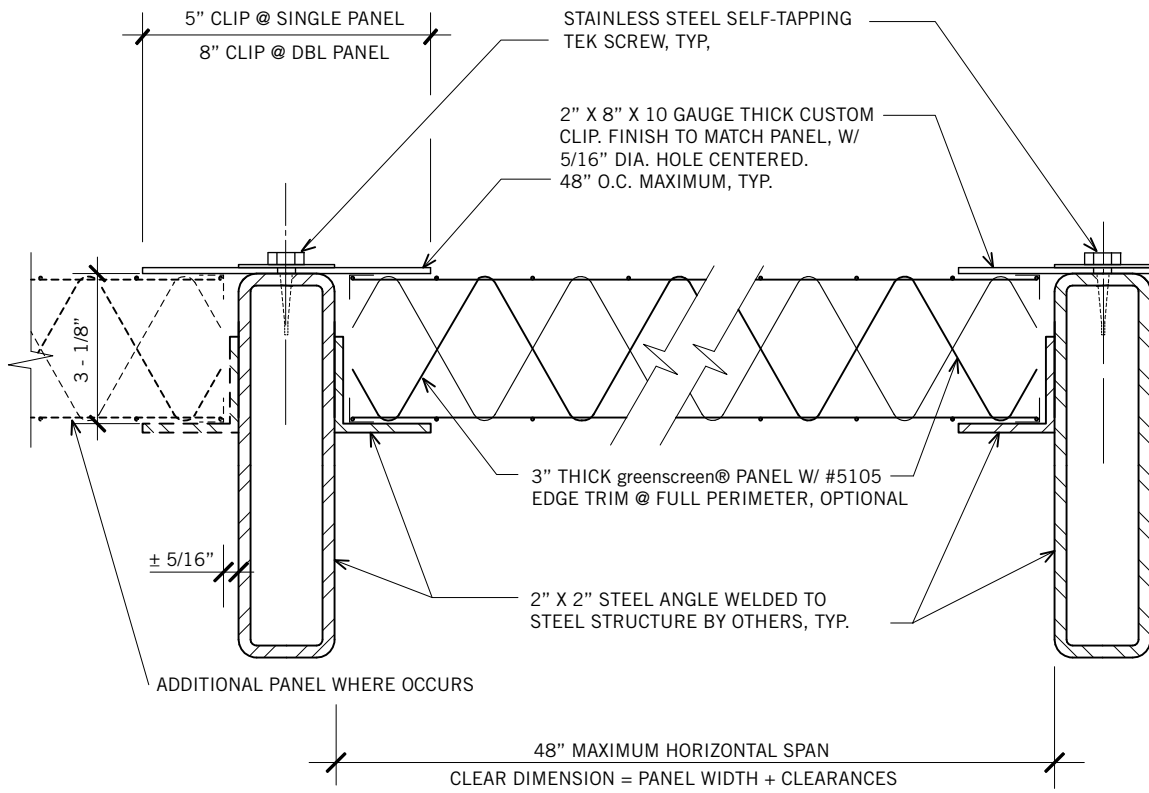
FALL 2015



OVERHEAD PANEL - SURFACE MOUNT

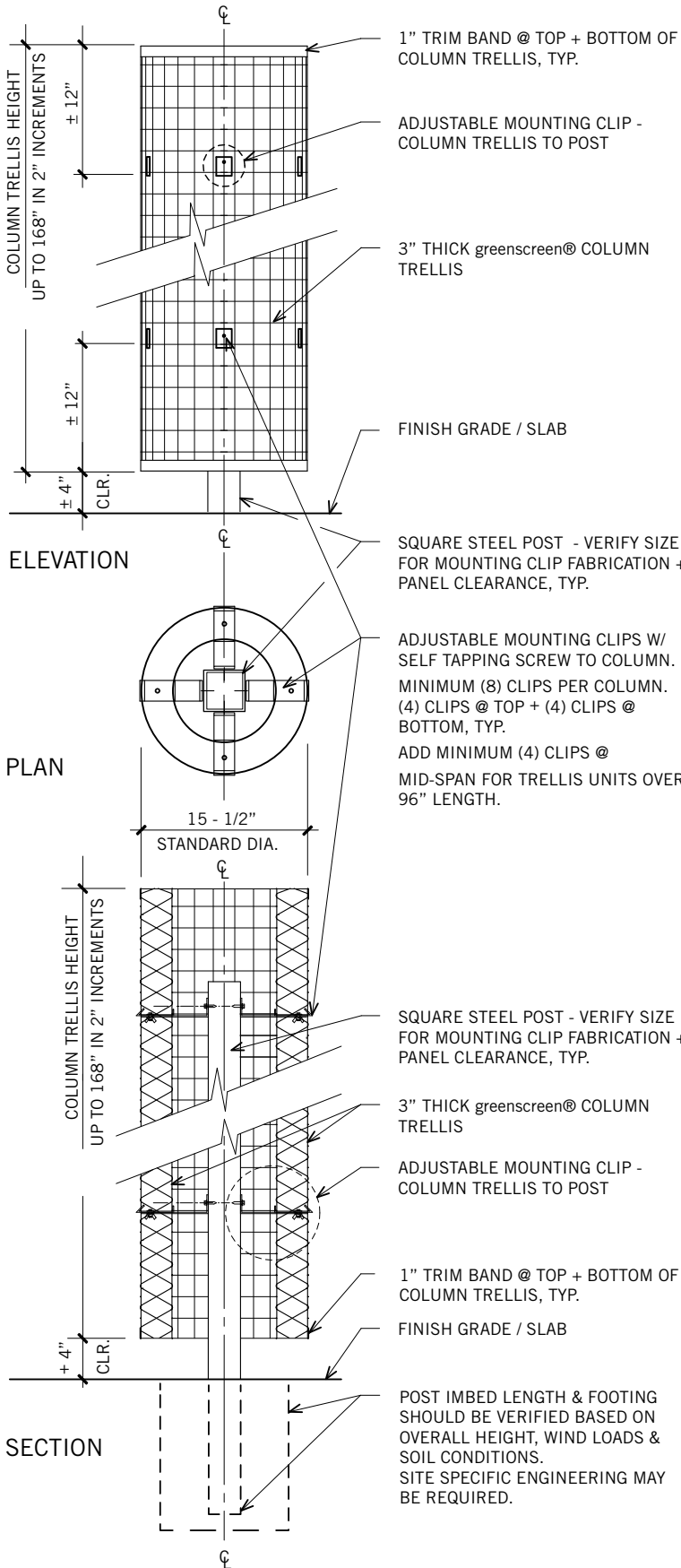
*Used to mount panels on top of horizontal overhead structure for continuous plant coverage

Inset OVERHEAD PANEL



○ OVERHEAD PANEL - INSET

*Allows horizontal overhead panels to be mounted between structural members.



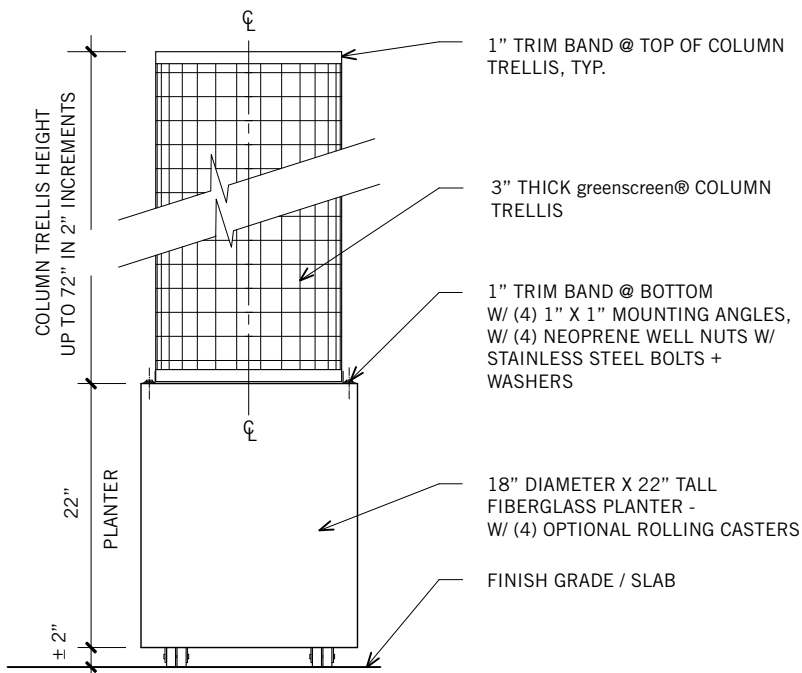
* Requires center structural support.

* Can also be mounted to cylindrical fiberglass planter.

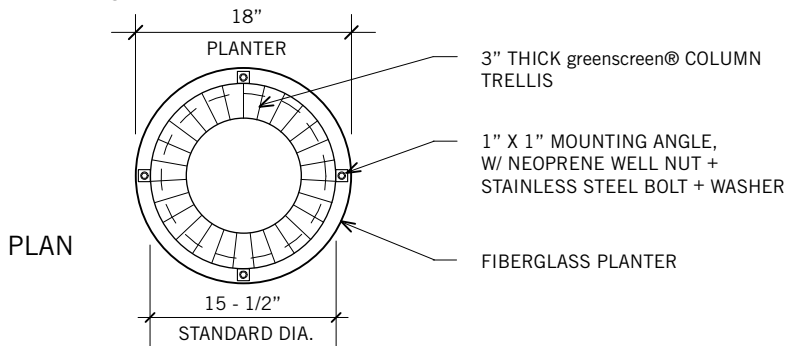
NOTE: Panels can be shipped flat without 1" trim bands top & bottom & can be opened and closed around structure in field adding #5131 flex "C" rings @ 6" o.c. or dropped over the top of structure as drawn if site conditions allow.

○ STANDARD COLUMN TRELLIS

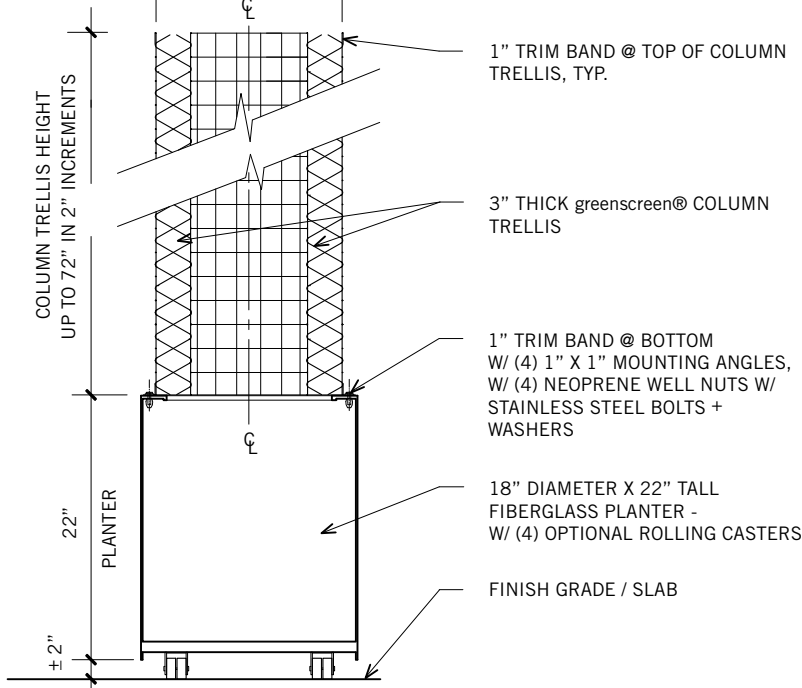
Planter mounted COLUMN TRELLIS



ELEVATION



PLAN



SECTION

1" TRIM BAND @ TOP OF COLUMN TRELLIS, TYP.

3" THICK greenscreen® COLUMN TRELLIS

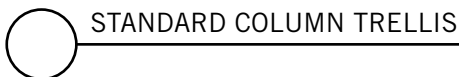
1" TRIM BAND @ BOTTOM W/ (4) 1" X 1" MOUNTING ANGLES, W/ (4) NEOPRENE WELL NUTS W/ STAINLESS STEEL BOLTS + WASHERS

18" DIAMETER X 22" TALL FIBERGLASS PLANTER - W/ (4) OPTIONAL ROLLING CASTERS

FINISH GRADE / SLAB

* Requires no center structural support

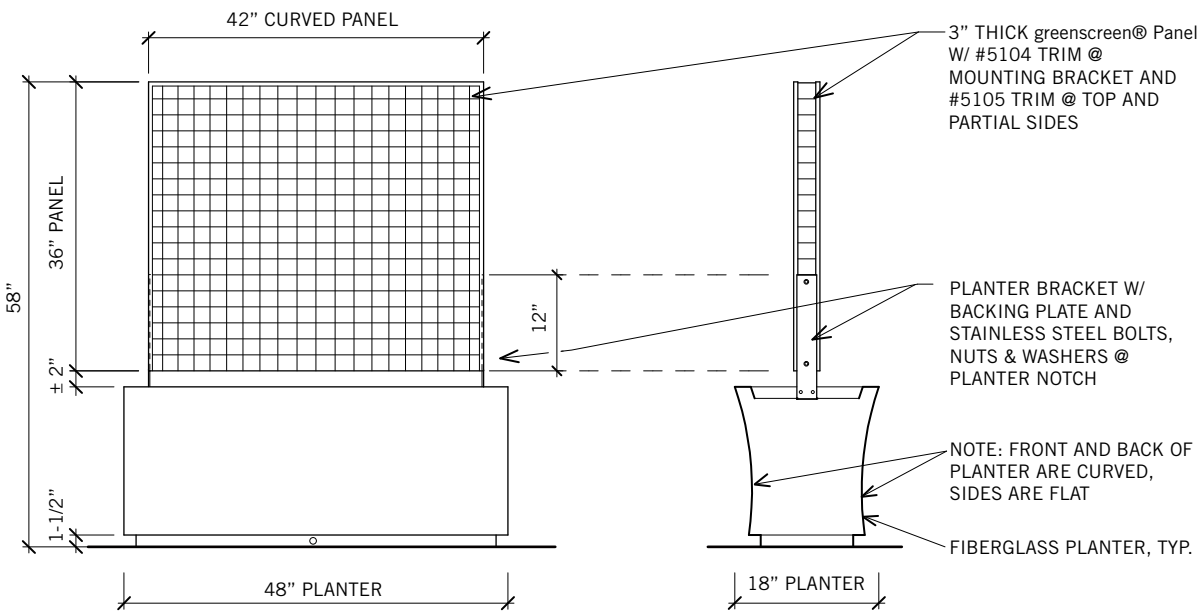
NOTE:
Soil volume = 2.4 cu.ft.
Planter, screen, hardware without soil = 40 lbs.
Total approximate weight w/ soil + plants = 110 lbs.



STANDARD COLUMN TRELLIS

FALL 2015

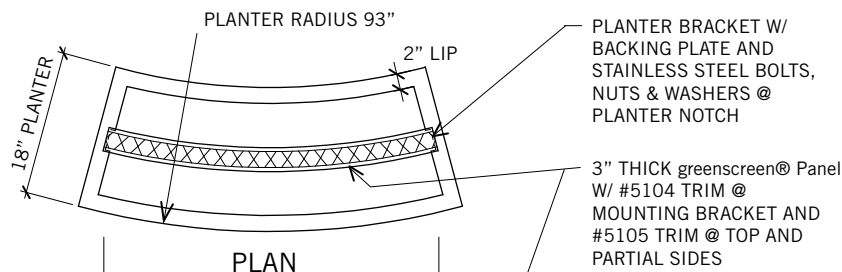
HEDGE - A - MATIC CURVED RECTANGULAR PLANTER



ELEVATION - TALL

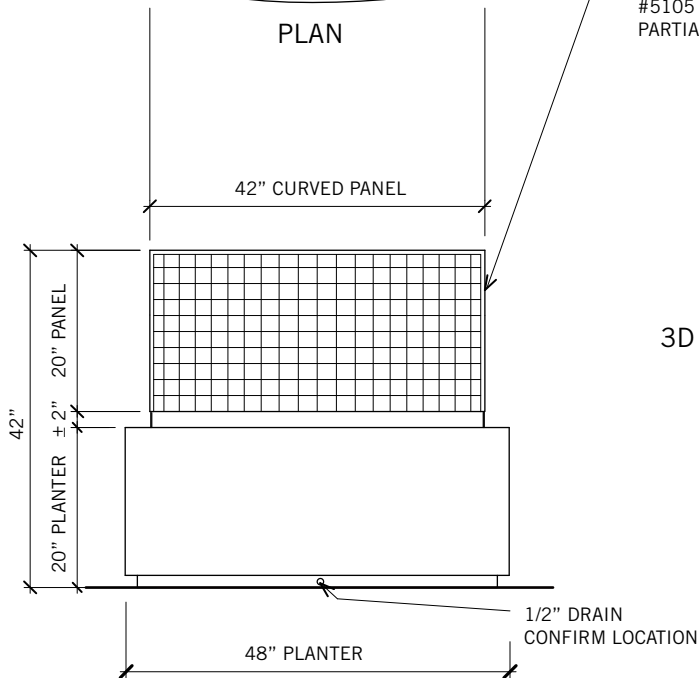
SECTION

NOTE:
Soil volume = 5.5 cu.ft.
Planter, screen, hardware
without soil = 40 lbs.
Total approximate weight
w/ soil + plants = 144 lbs.



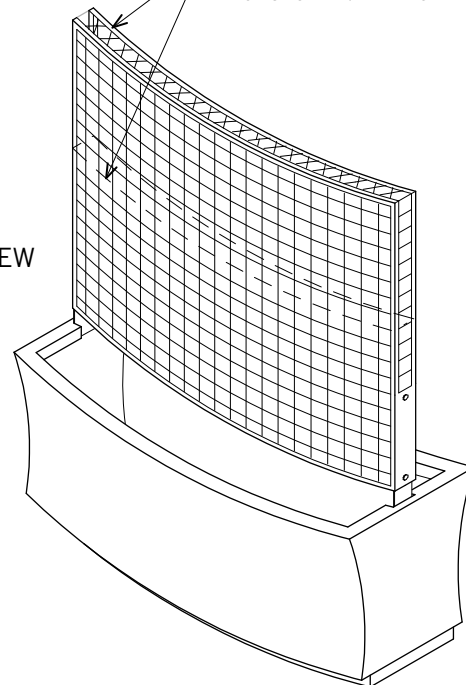
PLAN

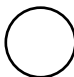
(2) PANEL OPTIONS:
• 36" TALL W/ FLAT TOP
• 20" SHORT W/ FLAT TOP



ELEVATION - SHORT

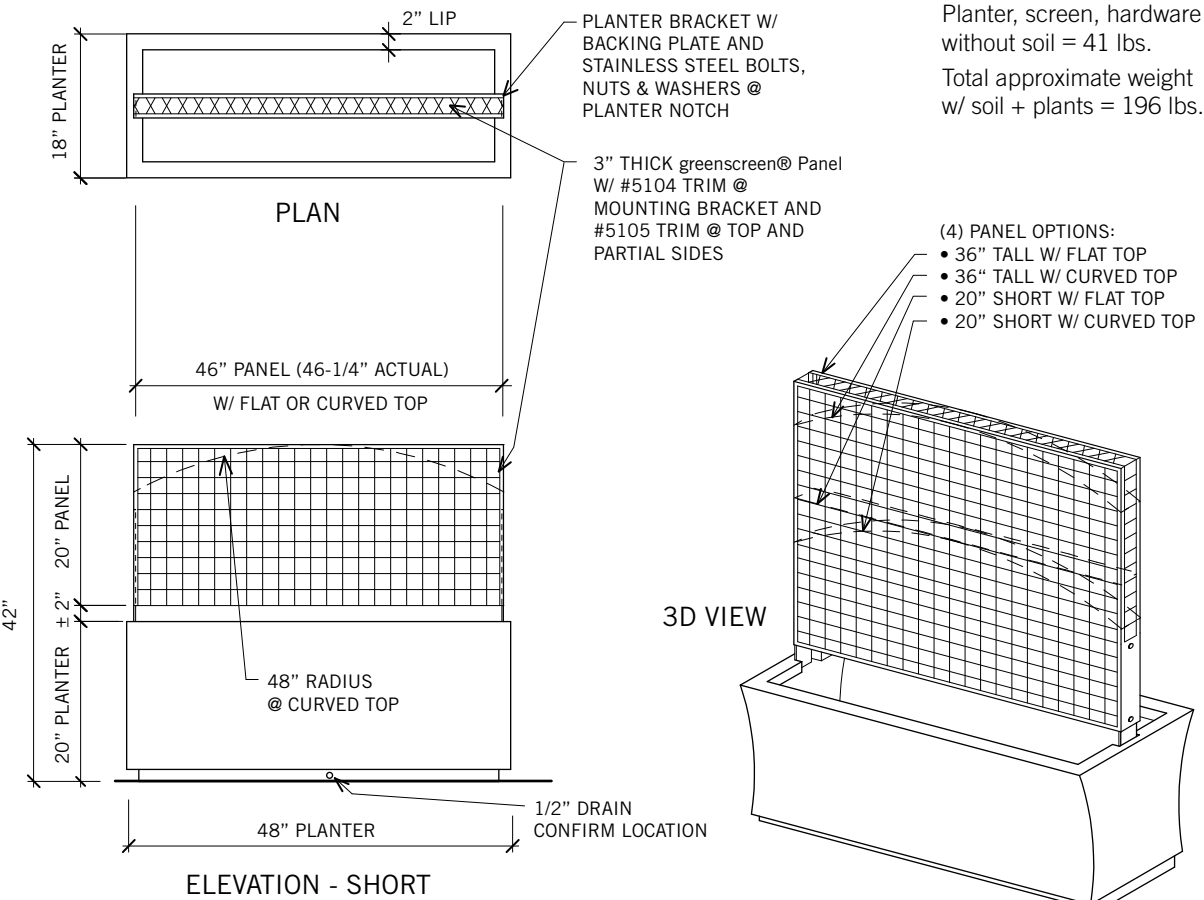
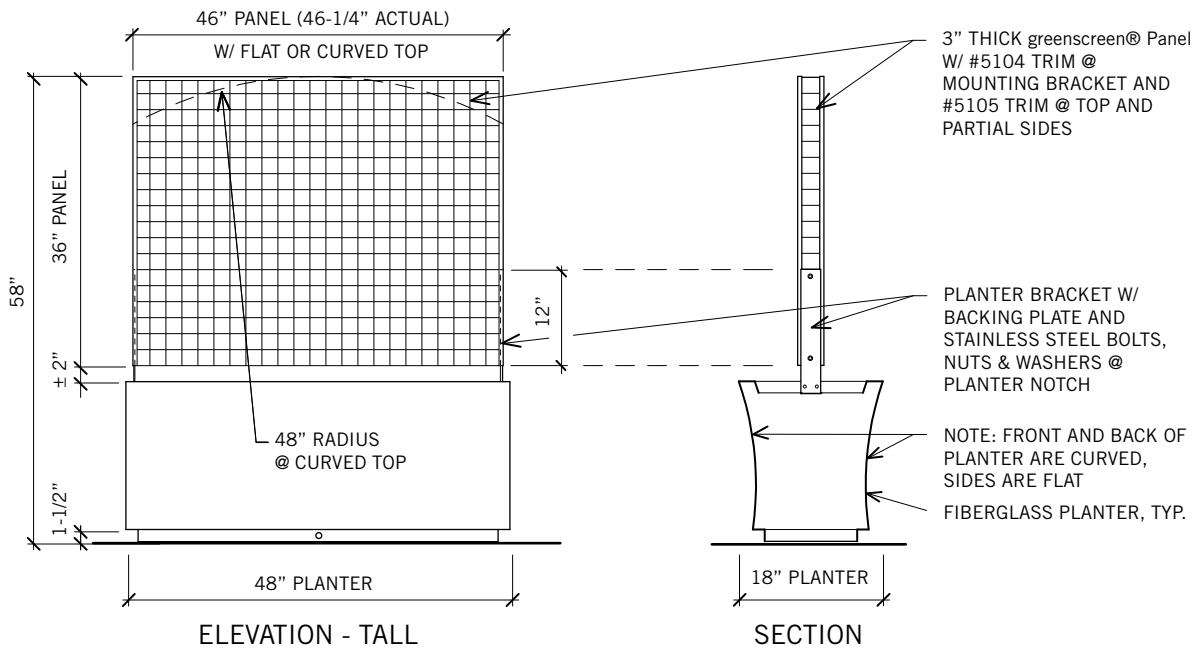
3D VIEW



 CURVED RECTANGULAR PLANTER WITH PANEL OPTIONS
ELEVATION, SECTION & PLAN

HEDGE - A - MATIC RECTANGULAR PLANTER

Flat or Curved Screen Top

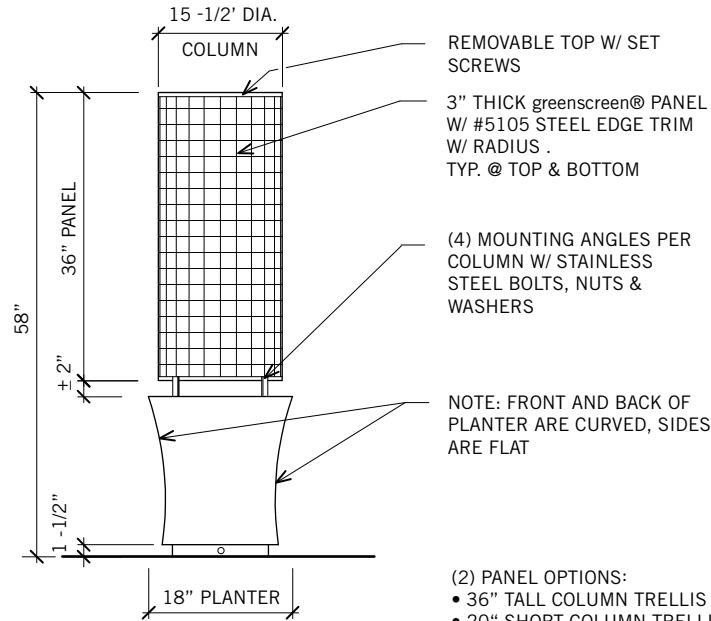


NOTE:
Soil volume = 6.2 cu.ft.
Planter, screen, hardware
without soil = 41 lbs.
Total approximate weight
w/ soil + plants = 196 lbs.

○ RECTANGULAR PLANTER WITH PANEL OPTIONS
ELEVATION, SECTION & PLAN

FALL 2015

HEDGE - A - MATIC
SQUARE PLANTER
WITH COLUMN

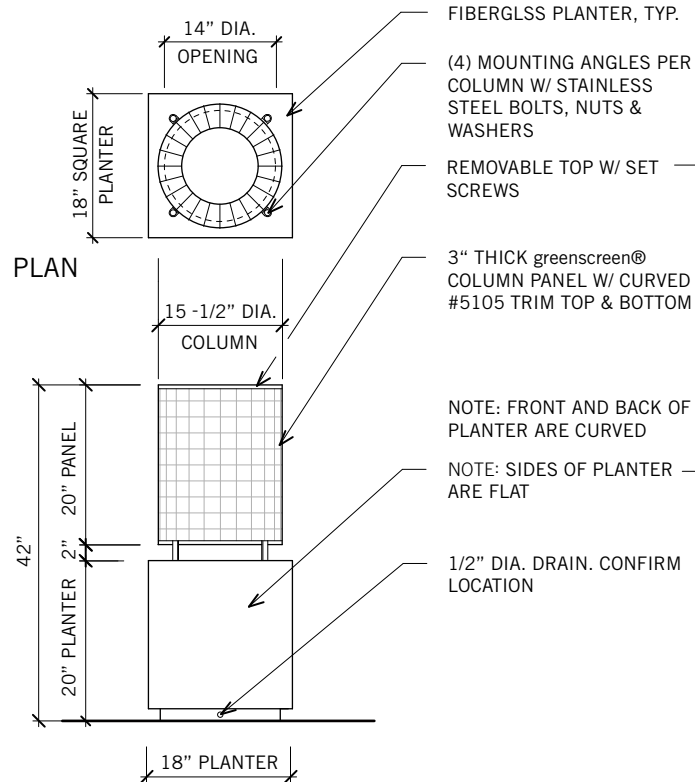


SIDE ELEVATION - TALL

(4) MOUNTING ANGLES PER COLUMN W/ STAINLESS STEEL BOLTS, NUTS & WASHERS

NOTE: FRONT AND BACK OF PLANTER ARE CURVED, SIDES ARE FLAT

(2) PANEL OPTIONS:
• 36" TALL COLUMN TRELLIS
• 20" SHORT COLUMN TRELLIS



FRONT ELEVATION - SHORT

FIBERGLSS PLANTER, TYP.
(4) MOUNTING ANGLES PER COLUMN W/ STAINLESS STEEL BOLTS, NUTS & WASHERS

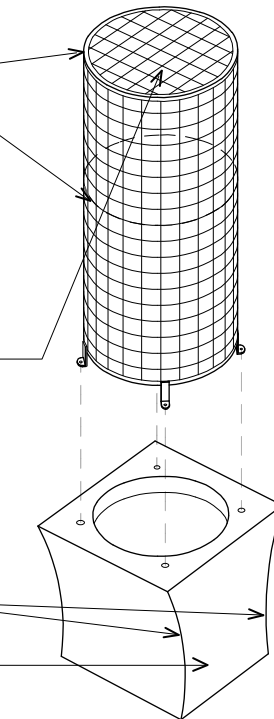
REMOVABLE TOP W/ SET SCREWS

3" THICK greenscreen® COLUMN PANEL W/ CURVED #5105 TRIM TOP & BOTTOM

NOTE: FRONT AND BACK OF PLANTER ARE CURVED

NOTE: SIDES OF PLANTER ARE FLAT

1/2" DIA. DRAIN. CONFIRM LOCATION



3D VIEW

NOTE:
Soil volume = 2.4 cu.ft.
Planter, screen, hardware without soil = 25 lbs.
Total approximate weight w/ soil + plants = 85 lbs.

SQUARE PLANTER WITH COLUMN OPTIONS
ELEVATION & PLAN

FIBERGLASS PLANTER

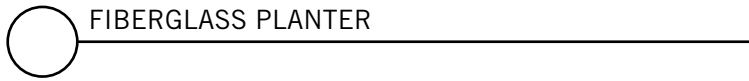
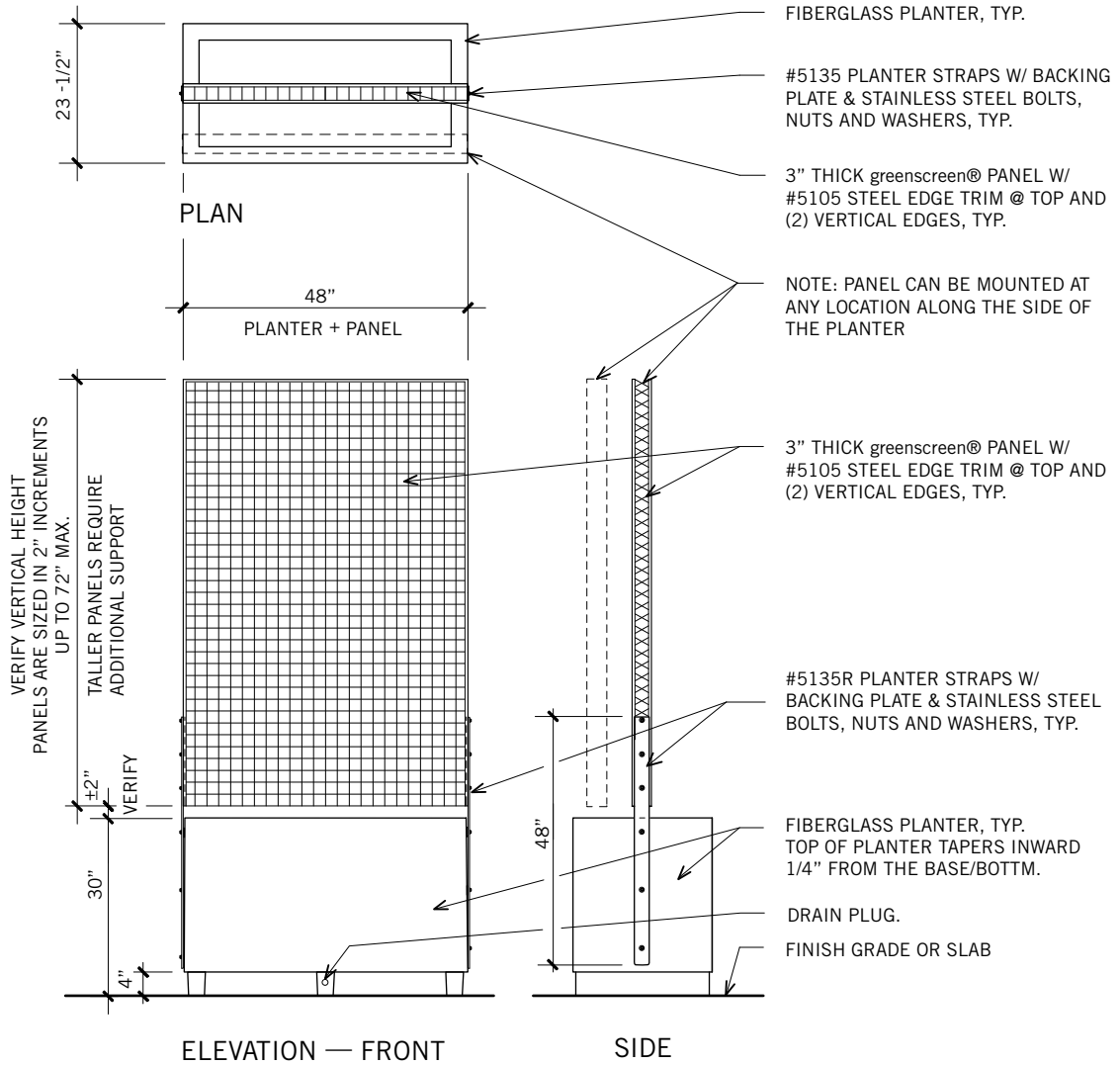
* For use on rooftop gardens or other venues that require containers or a changeable layout

NOTE:

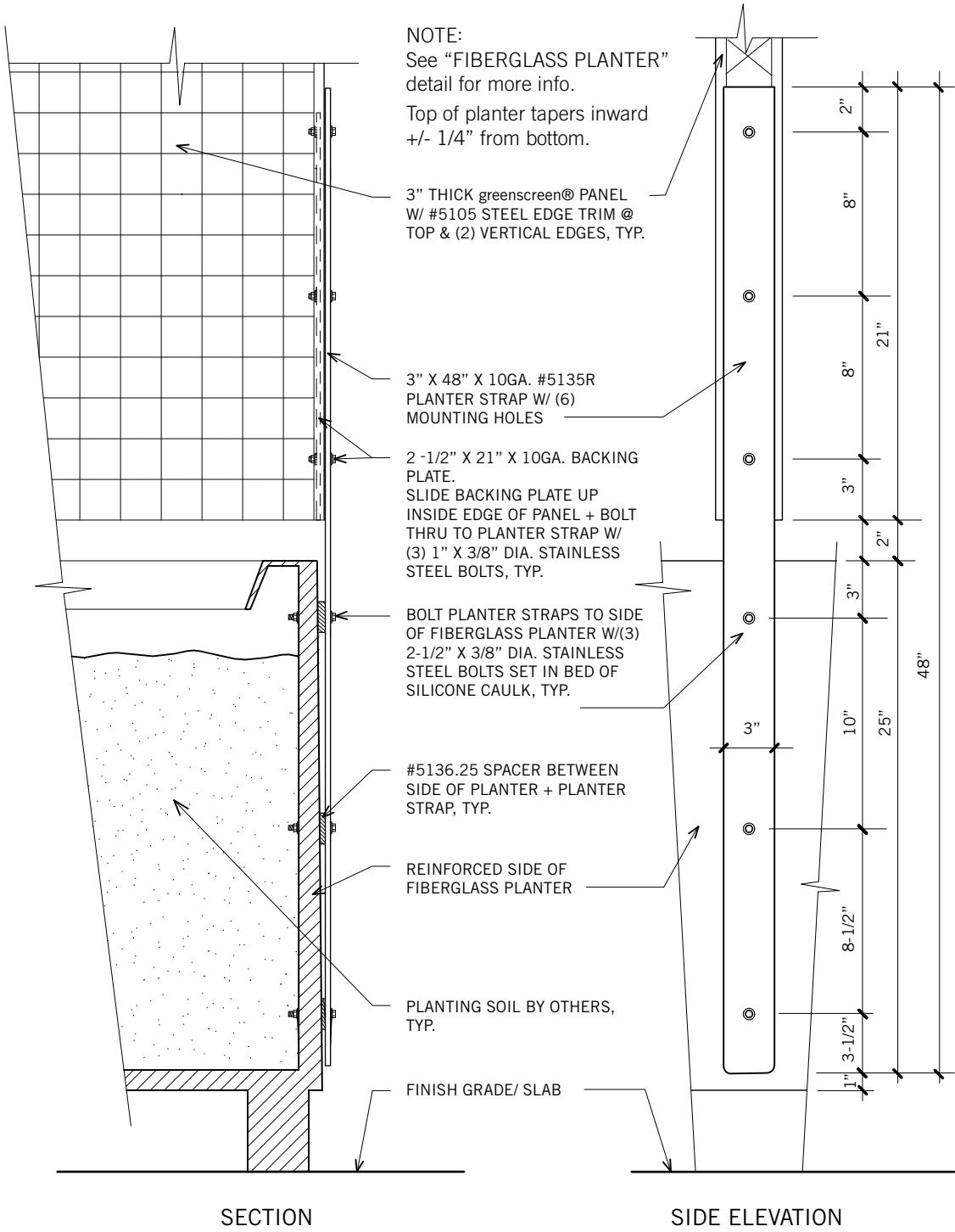
Soil volume = 16 cu.ft.

Planter, screen, hardware without soil = 95 lbs.

Total approximate weight w/ soil + plants = 495 lbs.



FALL 2015



○ 5135R PLANTER STRAPS

5135R
Planter STRAPS

FALL 2015