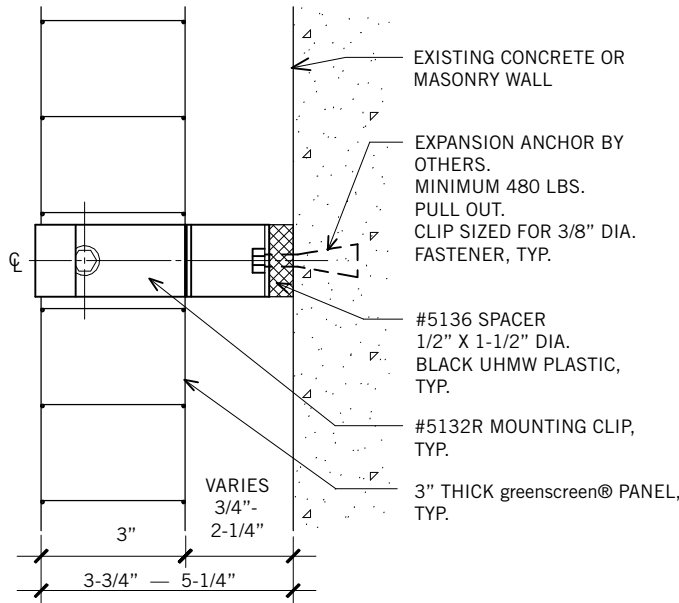
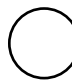
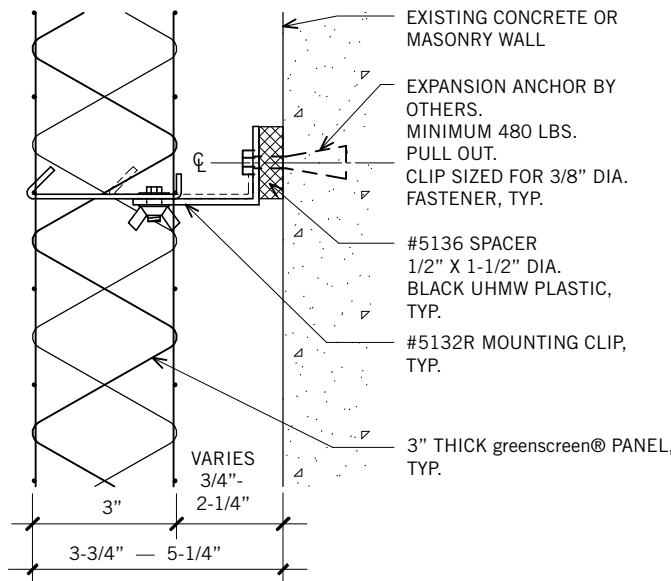


5132R
Wall Mounted, Plan & Section **MOUNTING CLIP**



 #5132R MOUNTING CLIP - WALL MOUNTED
PLAN



 #5132R MOUNTING CLIP - WALL MOUNTED
SECTION

*Fasteners and expansion anchors by others.

At stucco and plaster locations clips should be mounted into solid blocking, sheathing or wall studs.

NOTE: Mounting hole in clip is sized for maximum 3/8" diameter fastener.