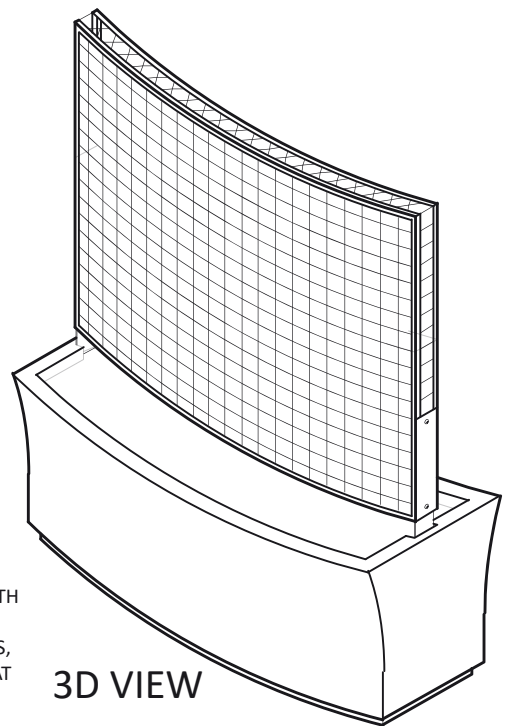


CAFÉ SERIES

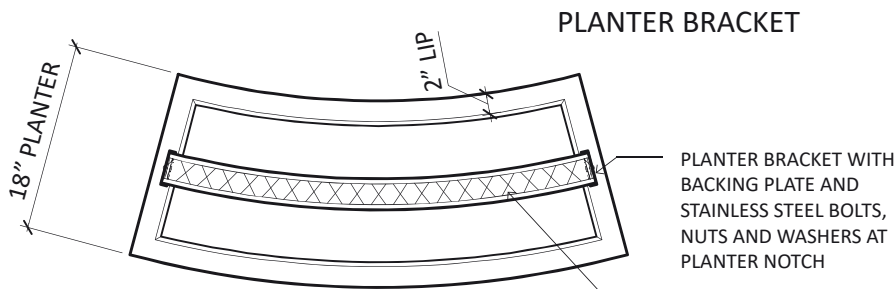
CURVED RECTANGULAR PLANTER

NOTE:

SOIL VOLUME= 6.2 CU.FT.
 PLANTER, SCREEN, HARDWARE
 WITHOUT SOIL= 41 LBS.
 TOTAL APPROXIMATE WEIGHT
 WITH SOIL + PLANTS= 200 LBS.



3D VIEW

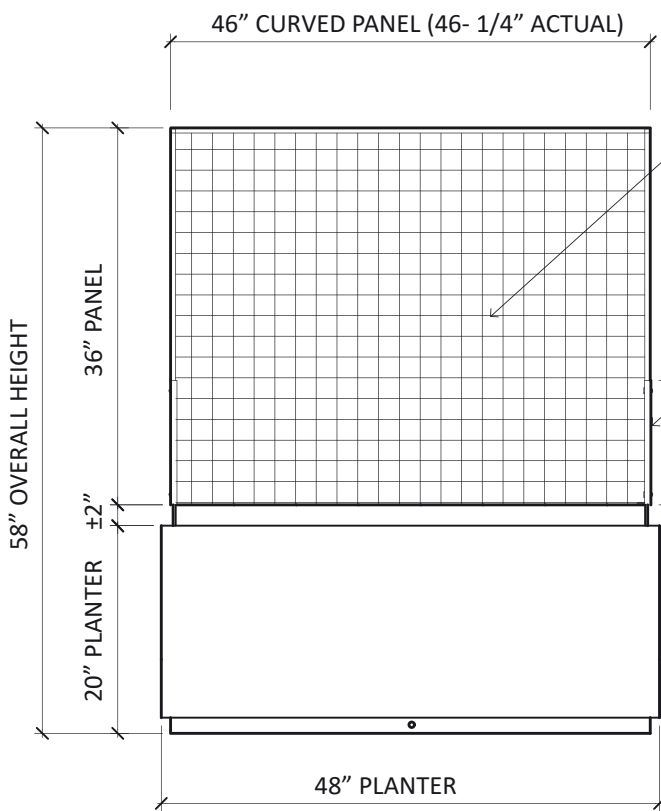


PLANTER BRACKET

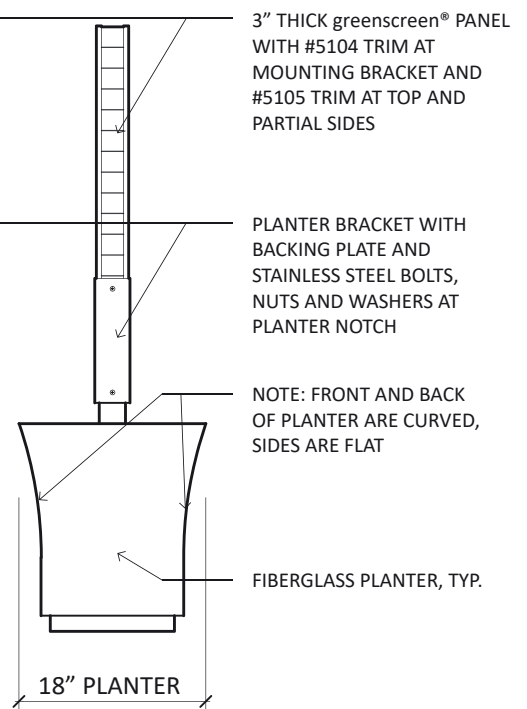
PLAN

PLANTER BRACKET WITH BACKING PLATE AND STAINLESS STEEL BOLTS, NUTS AND WASHERS AT PLANTER NOTCH

3" THICK greenscreen® PANEL WITH #5104 TRIM @ MOUNTING BRACKET AND #5105 TRIM AT TOP AND PARTIAL SIDES



ELEVATION



SECTION

