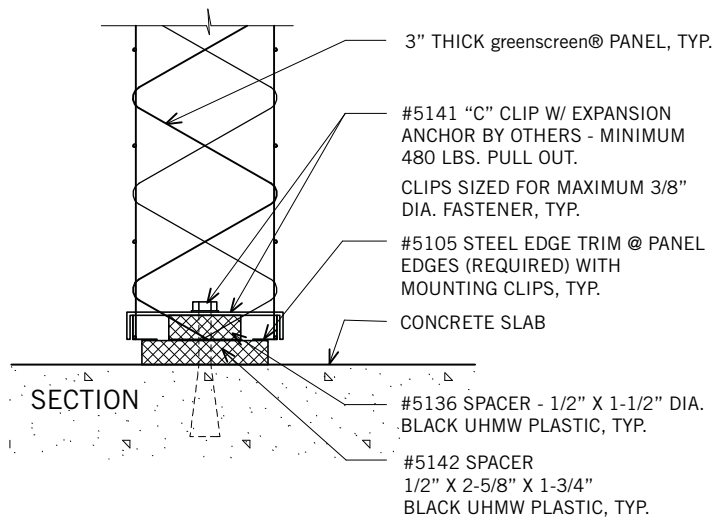


TEK SCREW- STL MOUNTED

CONCEALED FASTENER DETAIL



* Requires #5105 edge trim @ panel edges with clips.

NOTE: Mounting hole in clip is sized for maximum 3/8" dia. fastener - 1/4" dia. OK.

○ #5141 "C" CLIP - SLAB MOUNTED

accessories

Our Accessory Items list will provide your project with the necessary edge trims, mounting and joining clips, straps, posts, and caps to match your specified finishes with maximum flexibility.

Size:

½" leg x 3¼" wide x ½" leg

Materials:

20 gauge galvanized steel

Colors:

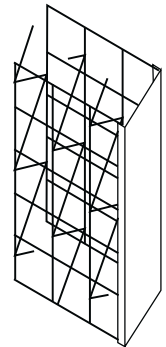
- ~ green
- ~ black
- ~ silver
- ~ bronze
- ~ white

Used as a closure strip at edges of **greenscreen®** panels. Recommended on panel edges adjacent to pedestrian traffic or where edge reinforcement for plant maintenance is desired. Not recommended at bottom edge of panel to prevent pooling of water.



5104

Steel Channel Trim



Size:

½" leg x ½" leg

Materials:

20 gauge galvanized steel

Colors:

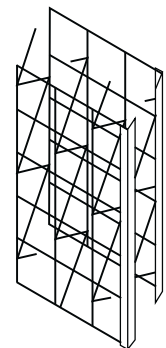
- ~ green
- ~ black
- ~ silver
- ~ bronze
- ~ white

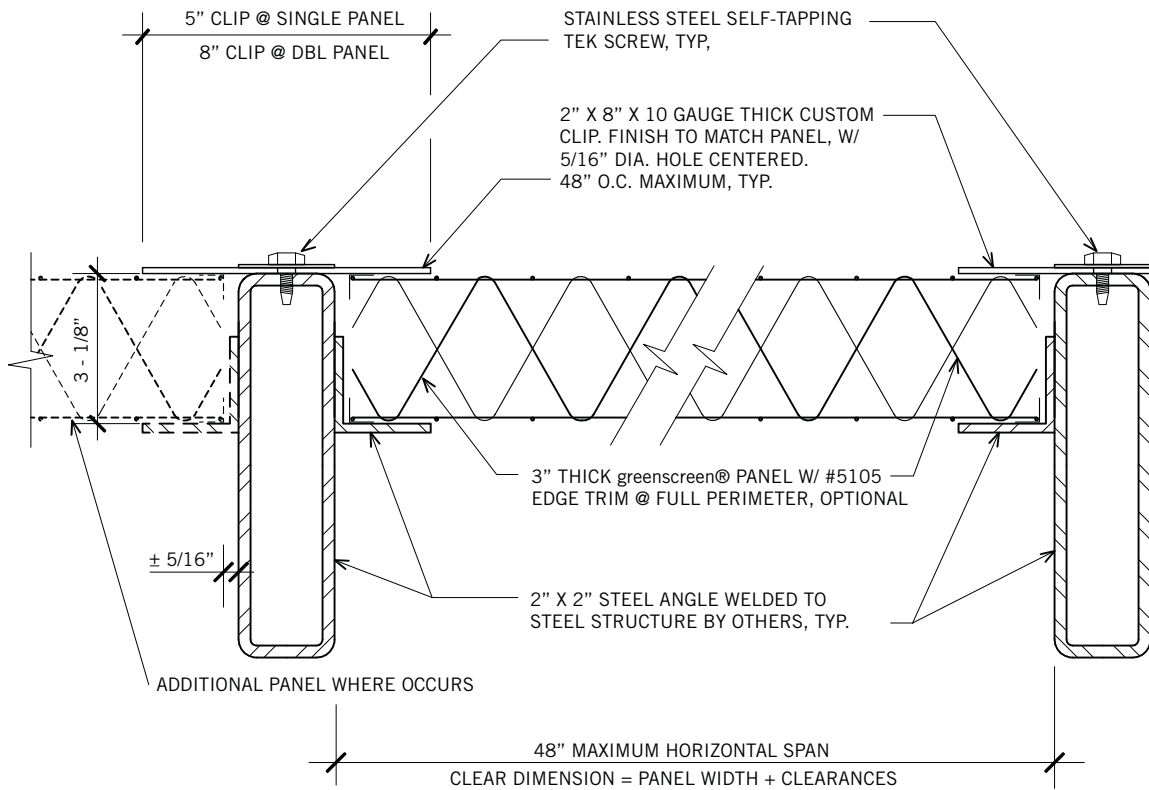
Used as closure strip at edges of **greenscreen®** panels. Recommended on panel edges adjacent to pedestrian traffic or where edge reinforcement for plant maintenance is desired.



5105

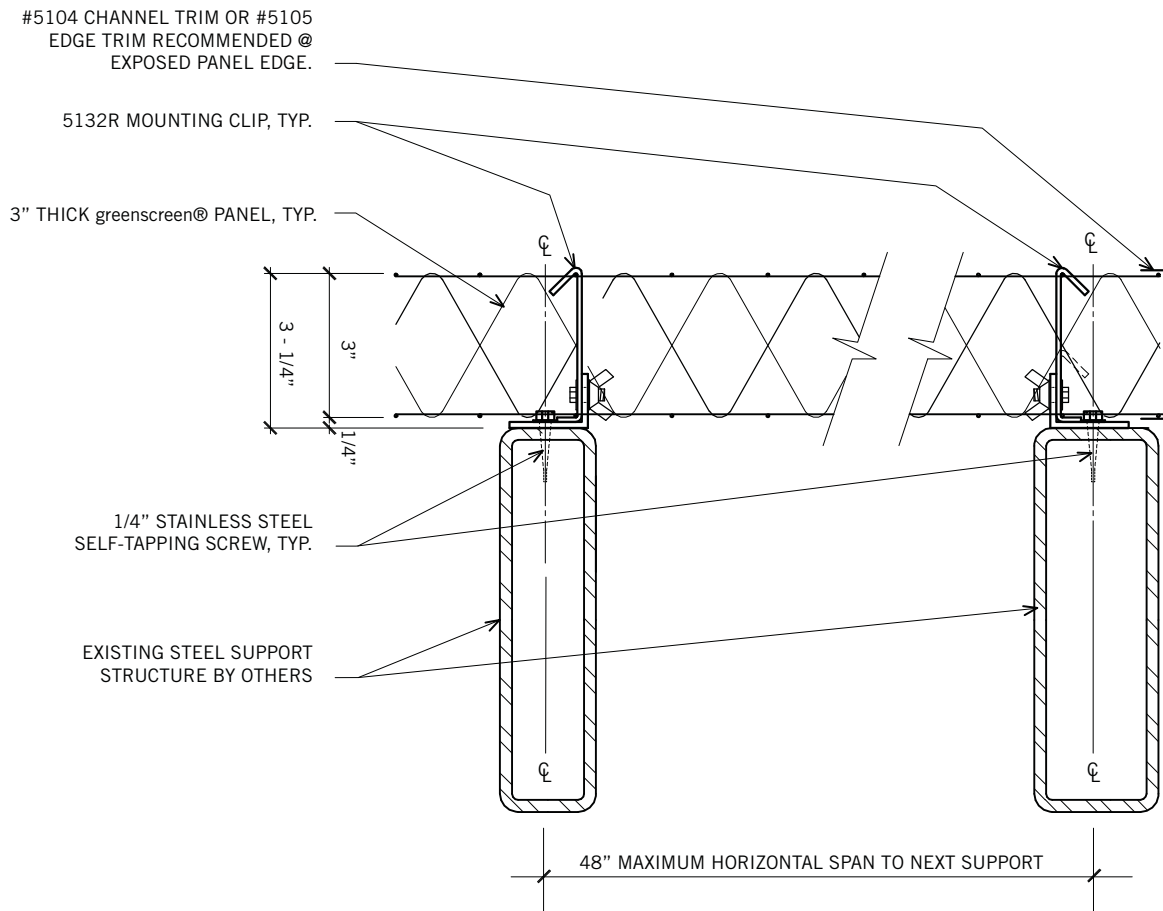
Steel Edge Trim





○ HORIZONTAL OVERHEAD PANEL - INSET

*Allows horizontal overhead panels to be mounted between structural members.



HORIZONTAL OVERHEAD PANEL - SURFACE MOUNT

*Used to mount panels on top of horizontal overhead structure for continuous plant coverage